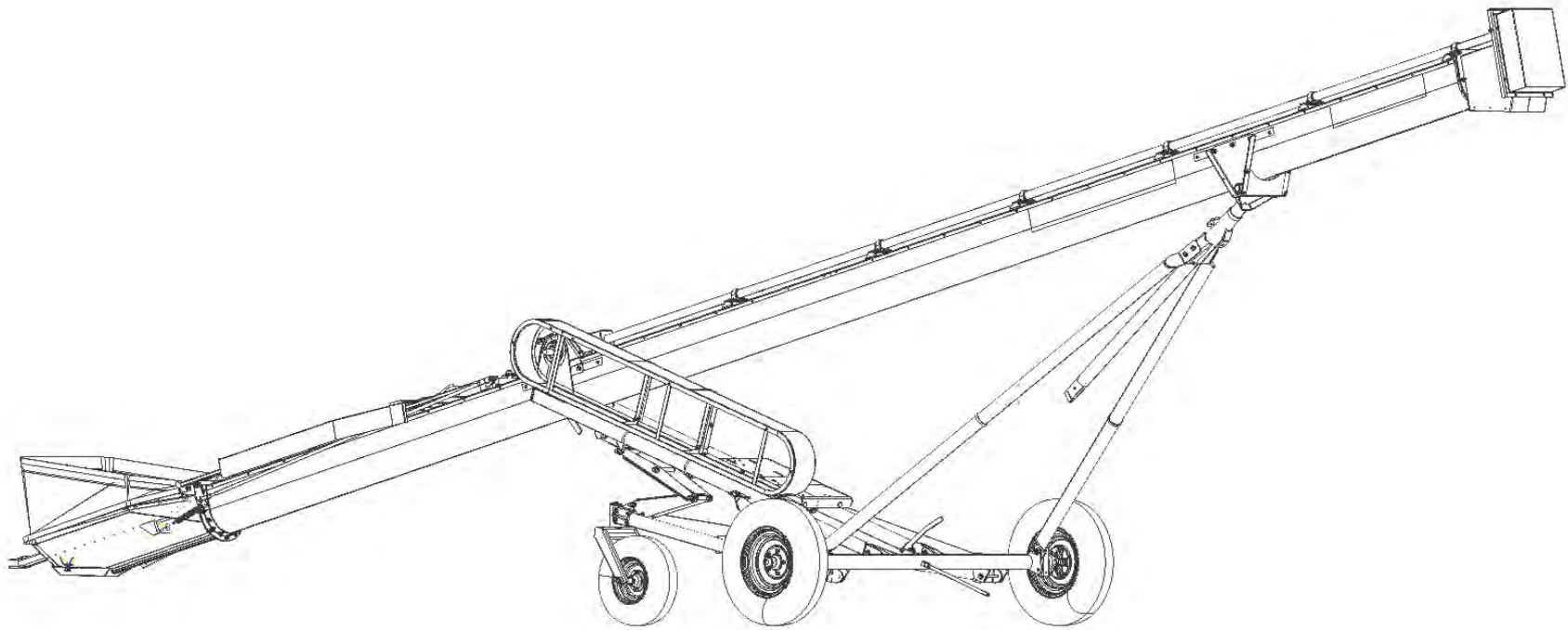


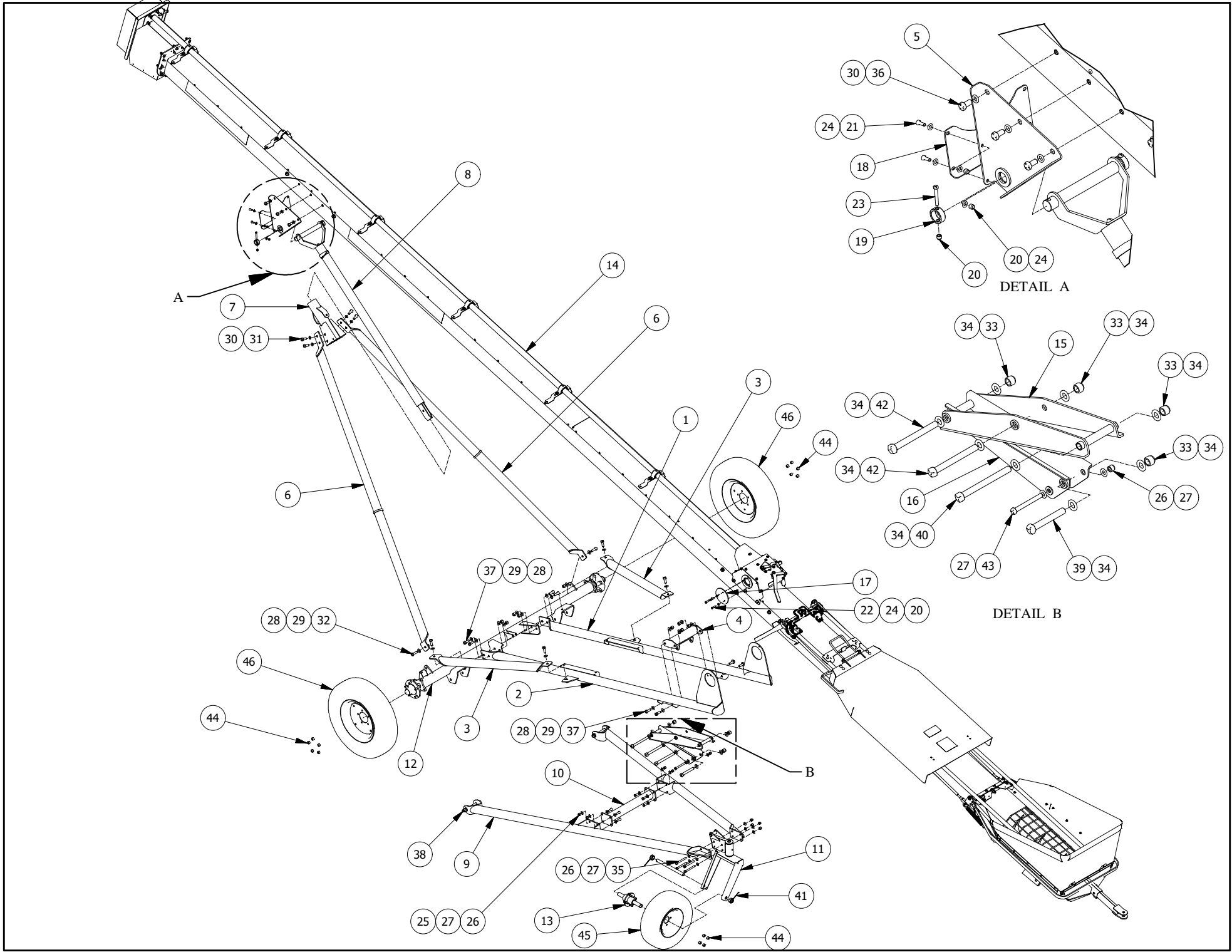
UTL-40 Parts Manual



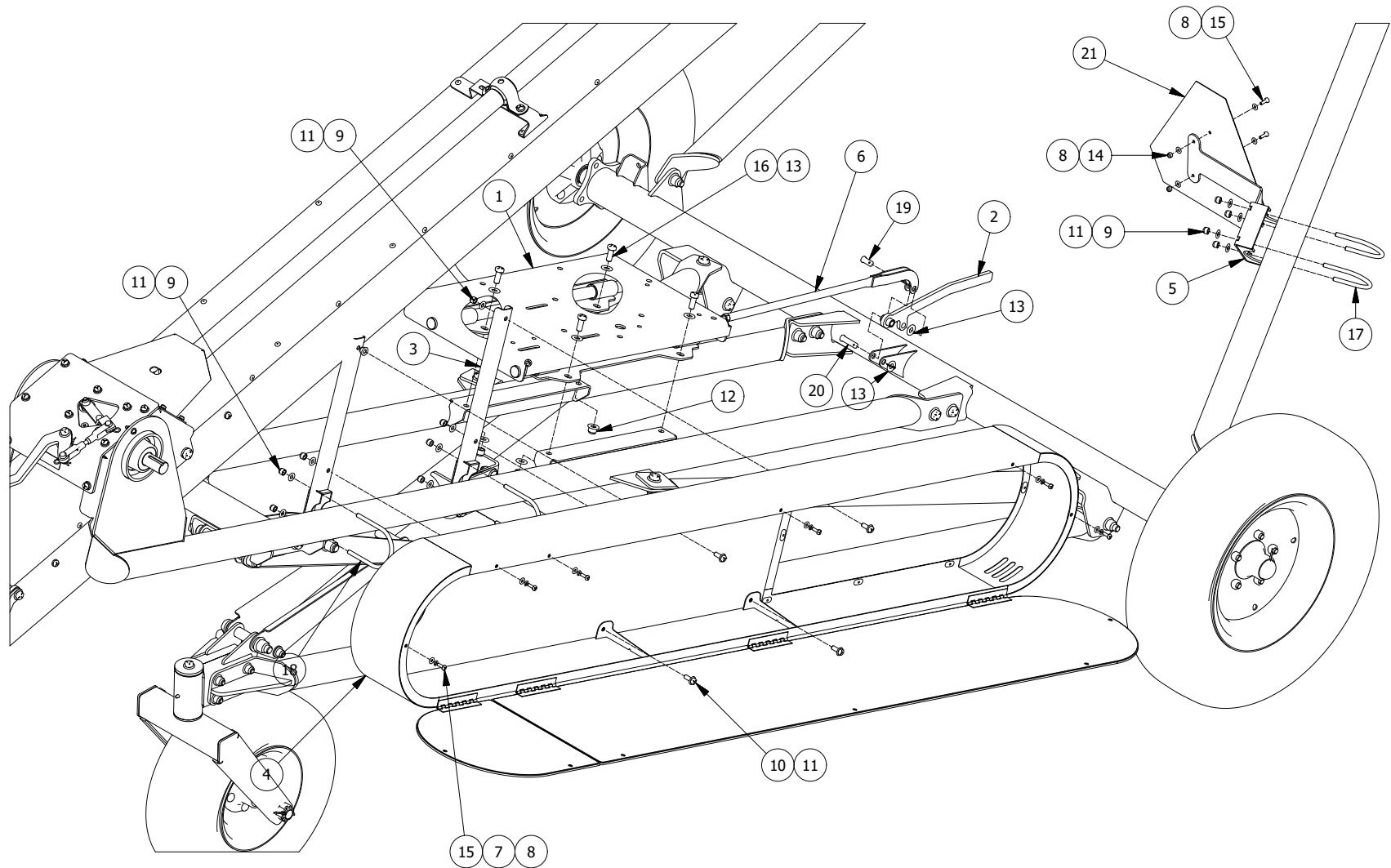
UTL40 Parts Manual

Table of Contents

| | |
|--|----|
| UTL40-BASE..... | 2 |
| Chassis Assembly | 2 |
| Belt Guard and Motor Mount..... | 4 |
| 100-00043 Axle Hub Assembly | 5 |
| 100-00044 Front Wheel Hub Assembly..... | 6 |
| 100-00046 Caster Bearing Assembly | 7 |
| 100-00060 Trough Assembly | 8 |
| UTL40-MW – Manual Winch Package | 13 |
| UTL40-EW – Electric Winch Package | 14 |
| Wiring Diagram | 15 |
| UTL40-CH980 – Kohler 38Hp Power Option..... | 16 |
| Wiring Diagram | 18 |
| UTL40-CH980-HM – Hydraulic Mover Kit for Kohler 38Hp..... | 19 |
| Hose Diagram..... | 26 |
| UTL40-CH980-EC – Electric Clutch Kit for Kohler 38Hp | 27 |
| UTL40-CH980-EC2 – Electric Clutch Kit for Kohler 38Hp | 28 |
| UTL40-E230V – 2x10Hp Electric Power Option 230V | 29 |
| UTL40-E460V / UTL40-E575V – 30Hp Electric Power Option | 30 |
| UTL40-PTO – PTO Power Option | 31 |
| UTL40-CH980-HM2 - Hydraulic Mover Kit for Kohler 38Hp REV2 | 32 |
| Hose Diagram..... | 35 |
| 82-03015 – Bevel Reversing Gearbox | 36 |
| UTL40-NRO-LID – Narrow Hopper Rail Kit | 37 |
| UTL40-CH395-HM – Hydraulic Power Pack Mover Kit..... | 38 |
| Hose Diagram..... | 40 |
| 100-00145 – Power Pack Assembly | 41 |
| UTL40-CH395-HM2 – Hydraulic Power Pack Mover Kit REV2 | 43 |
| Hose Diagram..... | 46 |
| 100-00224 – Power Pack Assembly | 47 |
| UTL40-HL – Hydraulic Lift Cylinder Kit | 49 |
| Hose Diagram..... | 50 |

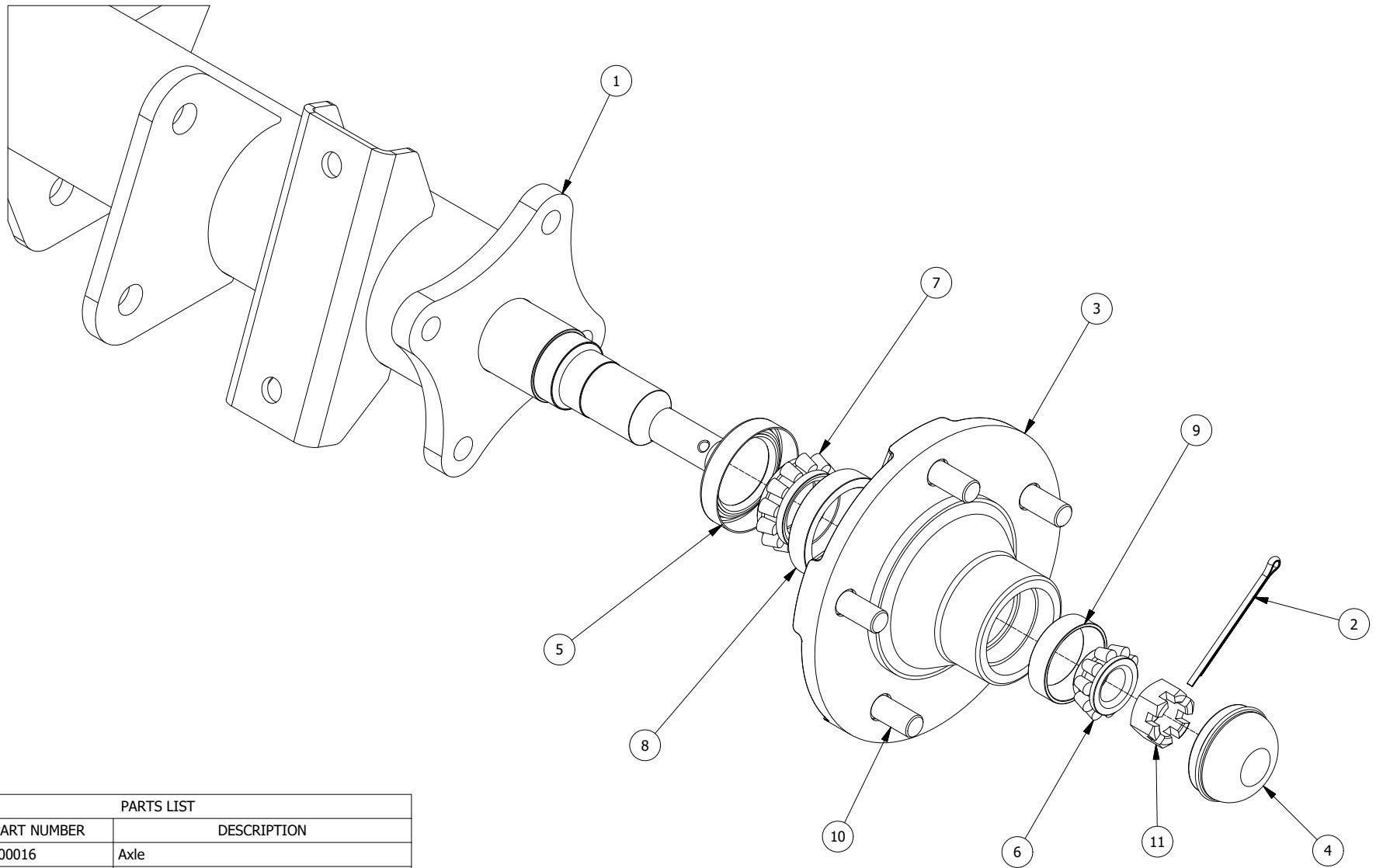


| PARTS LIST | | |
|------------|-------------|--|
| ITEM | PART NUMBER | DESCRIPTION |
| 1 | 100-00017 | Leg R |
| 2 | 100-00018 | Leg L |
| 3 | 100-00019 | Leg Brace |
| 4 | 100-00020 | Cross Brace |
| 5 | 100-00021 | Upper Pivot Plate |
| 6 | 100-00022 | Lift Arm |
| 7 | 100-00023 | Lift Tube Bushing |
| 8 | 100-00024 | Lift Tube |
| 9 | 100-00025 | Castor Tube Assembly |
| 10 | 100-00026 | Castor Cross Brace |
| 11 | 100-00028 | Front Wheel Mount |
| 12 | 100-00043 | Axle Assembly |
| 13 | 100-00044 | Front Wheel Hub Assembly |
| 14 | 100-00060 | Trough Assembly Complete |
| 15 | 100-00188 | Upper Scissor Link |
| 16 | 100-00189 | Lower Scissor Link |
| 17 | 110-00020 | Pivot Retainer |
| 18 | 110-00097 | Upper Pivot Brace |
| 19 | 110-00098 | Upper Pivot Retainer |
| 20 | 80-00018 | Nylon Insert Lock Nut 3/8 UNC GR5 Zinc Finish |
| 21 | 80-00020 | Hex Cap Screw 3/8 UNC x 1 GR5 Zinc Plated |
| 22 | 80-00022 | Hex Cap Screw 3/8 UNC x 1-1/2 GR5 Zinc Plated |
| 23 | 80-00024 | Hex Cap Screw 3/8 UNC x 2-1/2 GR5 Zinc Plated |
| 24 | 80-00032 | Flat Washer 3/8 SAE Zinc Finish |
| 25 | 80-00045 | Hex Cap Screw 1/2 UNC x 1-1/2 GR5 Zinc Plated |
| 26 | 80-00060 | Nylon Insert Lock Nut 1/2 UNC GR5 Zinc Finish |
| 27 | 80-00063 | Flat Washer 1/2 SAE Zinc Finish |
| 28 | 80-00069 | Nylon Insert Lock Nut 5/8 UNC GR5 Zinc Finish |
| 29 | 80-00070 | Flat Washer 5/8 SAE Zinc Finish |
| 30 | 80-00071 | Split Lock Washer 5/8 Zinc Finish |
| 31 | 80-00074 | Hex Cap Screw 5/8 UNC x 1-1/2 GR5 Zinc Plated |
| 32 | 80-00076 | Hex Cap Screw 5/8 UNC x 2 GR5 Zinc Plated |
| 33 | 80-00885 | Nylon Insert Lock Nut 3/4 UNC GR5 Zinc Finish |
| 34 | 80-00897 | Flat Washer 3/4 SAE Zinc Finish |
| 35 | 80-01032 | Hex Cap Screw 1/2 UNC x 4-1/2 GR5 Zinc Plated |
| 36 | 80-01034 | Hex Cap Screw 5/8 UNC x 1-1/4 GR5 Zinc Plated |
| 37 | 80-01035 | Hex Cap Screw 5/8 UNC x 1-3/4 GR5 Zinc Plated |
| 38 | 80-01036 | Hex Cap Screw 5/8 UNC x 7-1/2 GR5 Zinc Plated |
| 39 | 80-01037 | Hex Cap Screw 3/4 UNC x 5-1/2 GR5 Zinc Plated |
| 40 | 80-01039 | Hex Cap Screw 3/4 UNC x 8-1/2 GR5 Zinc Plated |
| 41 | 80-01071 | Cotter Pin 5/32 x 2-1/2 Zinc Finish |
| 42 | 80-01184 | Hex Cap Screw 3/4 UNC x 7-1/2 GR 5 Zinc Plated |
| 43 | 80-01186 | Hex Cap Screw 1/2 UNC x 4-3/4 GR5 Zinc Plated |
| 44 | 82-03031 | Wheel Nut 1/2-20UNF 90 Deg GR5 |
| 45 | 82-03034 | Front Wheel |
| 46 | 82-03037 | Main Wheel Assembly |



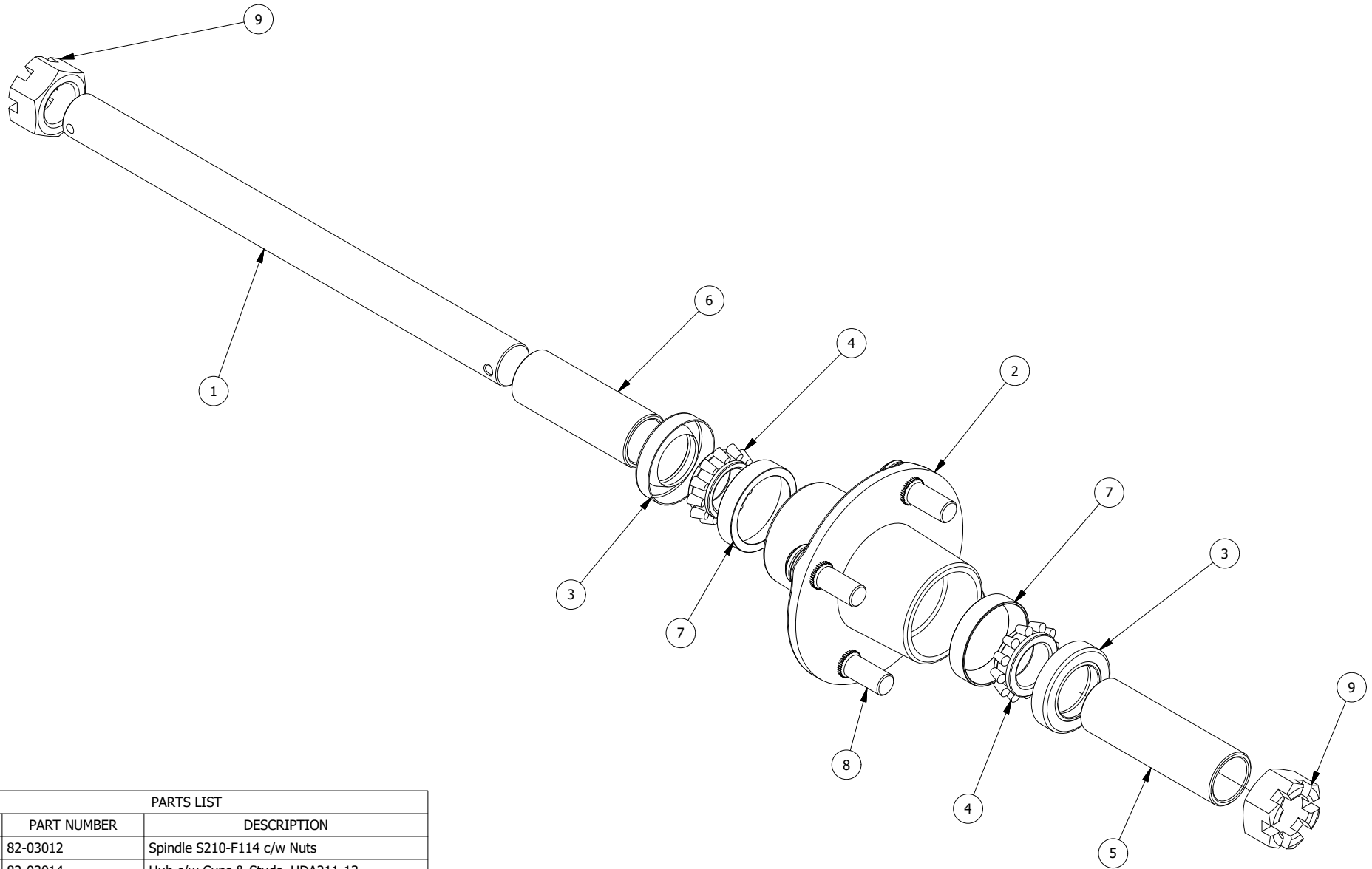
| PARTS LIST | | | PARTS LIST | | |
|------------|-------------|---|------------|-------------|---|
| ITEM | PART NUMBER | DESCRIPTION | ITEM | PART NUMBER | DESCRIPTION |
| 1 | 100-00036 | Motor Mount | 12 | 80-00060 | Nylon Insert Lock Nut 1/2 UNC GR5 Zinc Finish |
| 2 | 100-00038 | Belt Tension Lever | 13 | 80-00063 | Flat Washer 1/2 SAE Zinc Finish |
| 3 | 100-00039 | Belt Guard Mount | 14 | 80-00840 | Nylon Insert Lock Nut 1/4 UNC GR5 Zinc Finish |
| 4 | 100-00040 | Belt Guard | 15 | 80-01024 | Hex Cap Screw 1/4 UNC x 3/4 GR5 Zinc Plated |
| 5 | 100-00042 | SMV Mount | 16 | 80-01029 | Hex Cap Screw 1/2 UNC x 1-1/4 GR5 Zinc Plated |
| 6 | 110-00161 | Belt Tension Tube | 17 | 80-01055 | U-Bolt 3/8 UNC x 3" Pipe Zinc Plated |
| 7 | 80-00004 | Split Lock Washer 1/4 Zinc Finish | 18 | 80-01056 | U-Bolt 3/8 UNC x 3" Pipe Long Tangent Zinc Plated |
| 8 | 80-00006 | Flat Washer 1/4 SAE Zinc Finish | 19 | 80-01066 | Clevis Pin 1/2 x 1 Zinc Finish |
| 9 | 80-00018 | Nylon Insert Lock Nut 3/8 UNC GR5 Zinc Finish | 20 | 80-01067 | Clevis Pin 1/2 x 1-3/4 Zinc Finish |
| 10 | 80-00020 | Hex Cap Screw 3/8 UNC x 1 GR5 Zinc Plated | 21 | 82-03038 | Slow Moving Vehicle Sign |
| 11 | 80-00032 | Flat Washer 3/8 SAE Zinc Finish | | | |

100-00043 - Axle Assembly



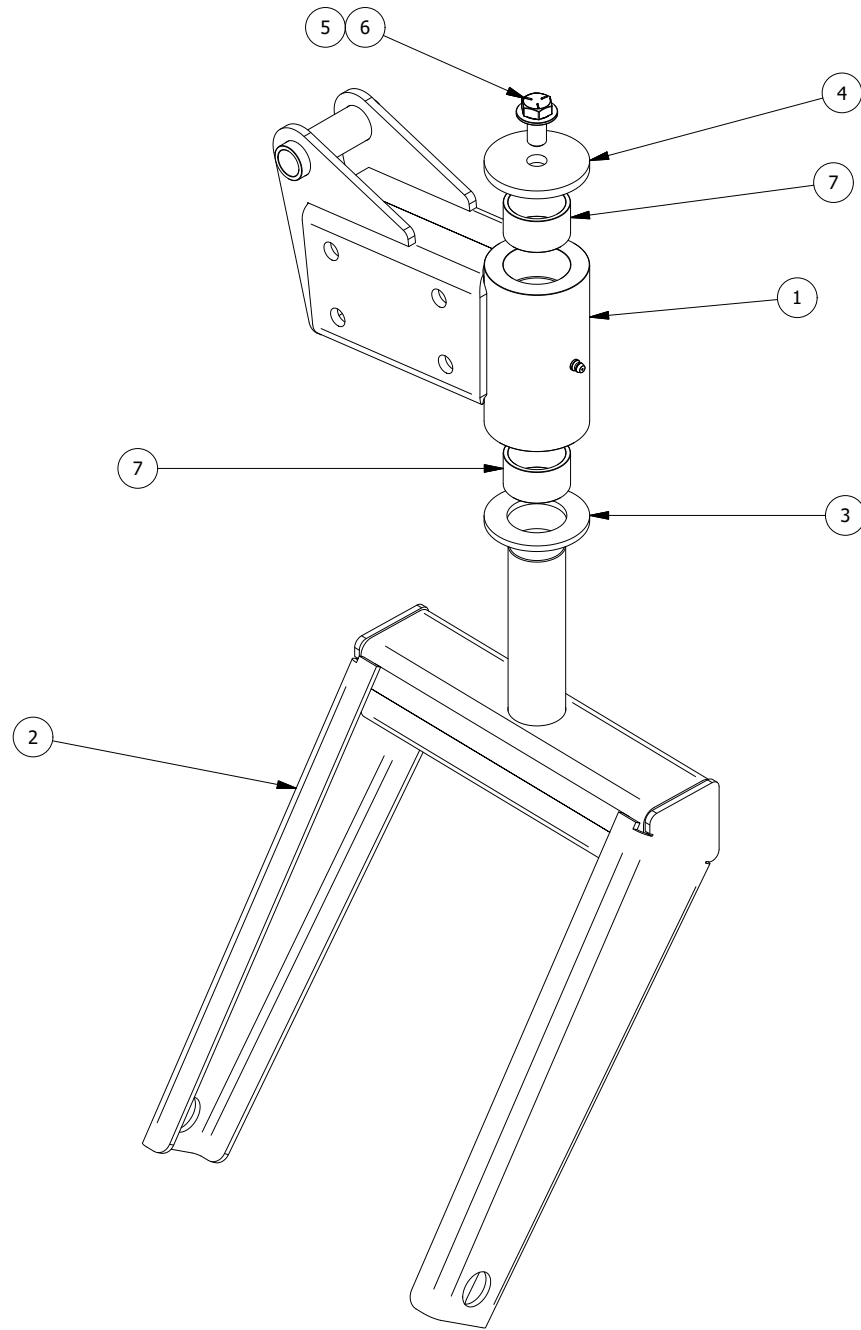
| PARTS LIST | | |
|------------|-------------|-------------------------------------|
| ITEM | PART NUMBER | DESCRIPTION |
| 1 | 100-00016 | Axle |
| 2 | 80-01071 | Cotter Pin 5/32 x 2-1/2 Zinc Finish |
| 3 | 82-03013 | Hub c/w Cups & Studs, HA511-3 |
| 4 | 82-03025 | Dust Cap DC12 |
| 5 | 82-03027 | Oil Seal SE11 |
| 6 | 82-03028 | Bearing Cone LM11949 |
| 7 | 82-03029 | Bearing Cone LM67048 |
| 8 | 82-03084 | Bearing Cup LM67010 |
| 9 | 82-03085 | Bearing Cup LM11910 |
| 10 | 82-03087 | Wheel Stud WB13 1/2-20UNF |
| 11 | 82-03088 | Nut WB30 3/4-16UNF |

100-00044 - Front Wheel Hub Assembly



| PARTS LIST | | |
|------------|-------------|---------------------------------|
| ITEM | PART NUMBER | DESCRIPTION |
| 1 | 82-03012 | Spindle S210-F114 c/w Nuts |
| 2 | 82-03014 | Hub c/w Cups & Studs, HDA211-13 |
| 3 | 82-03026 | Oil Seal SE10 |
| 4 | 82-03030 | Bearing Cone L44643 |
| 5 | 82-03032 | Hub Spacer Long S210-F114-5 |
| 6 | 82-03033 | Hub Spacer Short S210-F114-2 |
| 7 | 82-03086 | Bearing Cup L44610 |
| 8 | 82-03087 | Wheel Stud WB13 1/2-20UNF |
| 9 | 82-03089 | Nut WB33 1-14UNS |

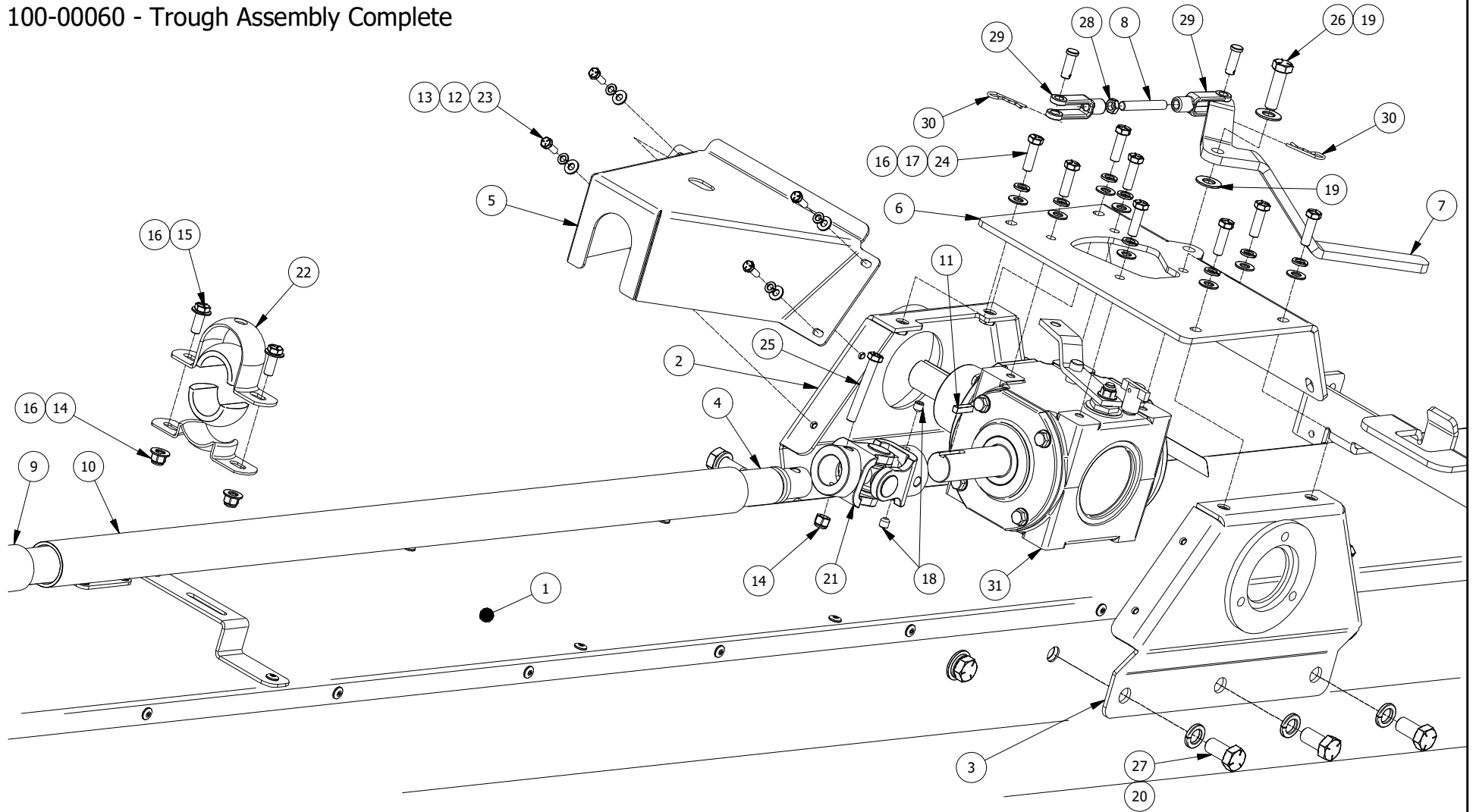
100-00046 - Caster Bearing Assembly



PARTS LIST

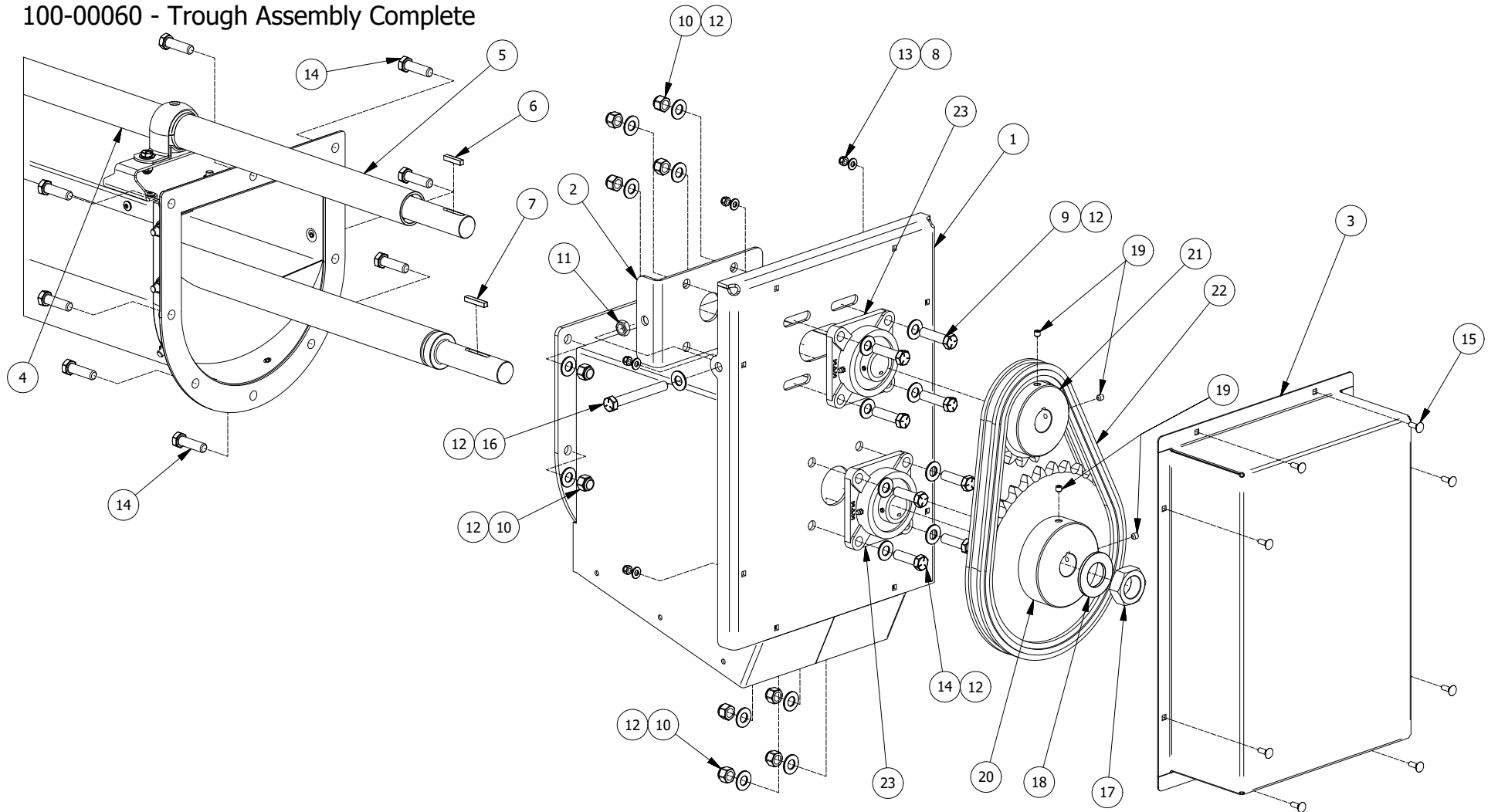
| ITEM | PART NUMBER | DESCRIPTION |
|------|-------------|---|
| 1 | 100-00027 | Castor Plate |
| 2 | 100-00028 | Front Wheel Mount |
| 3 | 110-00129 | Castor Swivel Lower Washer |
| 4 | 110-00130 | Caster Swivel Upper Washer |
| 5 | 80-00063 | Flat Washer 1/2 SAE Zinc Finish |
| 6 | 80-01045 | Hex Cap Screw 1/2 UNF x 1 GR5 Zinc Plated |
| 7 | 82-03021 | Bronze Sleeve Bearing SS-4856-16 |

100-00060 - Trough Assembly Complete



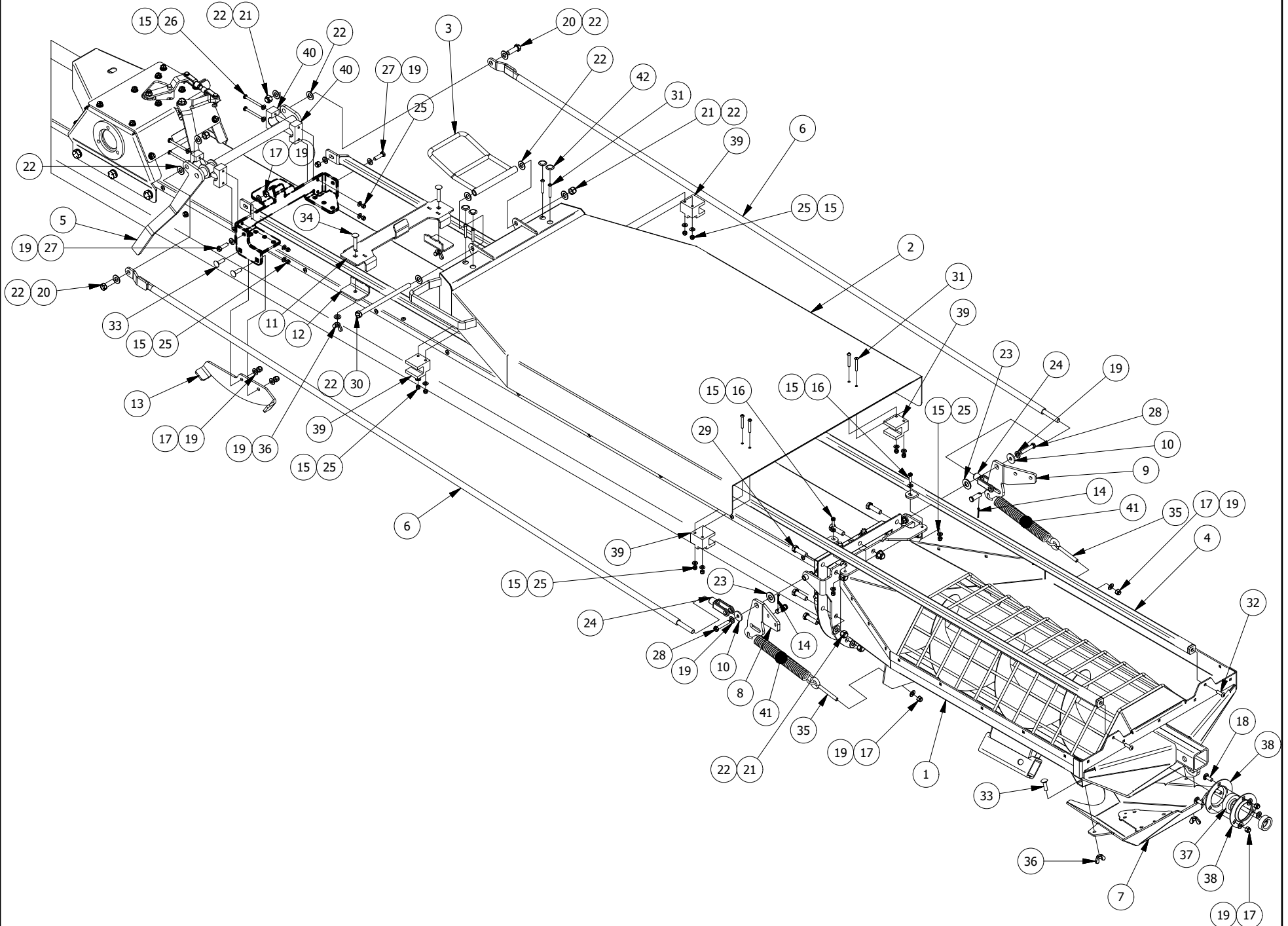
| PARTS LIST | | | PARTS LIST | | | PARTS LIST | | |
|------------|-------------|----------------------------|------------|-------------|---|------------|-------------|---|
| ITEM | PART NUMBER | DESCRIPTION | ITEM | PART NUMBER | DESCRIPTION | ITEM | PART NUMBER | DESCRIPTION |
| 1 | 100-00001 | Main Trough Assembly | 12 | 80-00004 | Split Lock Washer 1/4 Zinc Finish | 23 | 80-01024 | Hex Cap Screw 1/4 UNC x 3/4 GR5 Zinc Plated |
| 2 | 100-00005 | Main Pivot Plate R | 13 | 80-00006 | Flat Washer 1/4 SAE Zinc Finish | 24 | 80-01026 | Hex Cap Screw 3/8 UNC x 1-1/4 GR5 Zinc Plated |
| 3 | 100-00006 | Main Pivot Plate L | 14 | 80-00018 | Nylon Insert Lock Nut 3/8 UNC GR5 Zinc Finish | 25 | 80-01028 | Hex Cap Screw 3/8 UNC x 2-3/4 GR5 Zinc Plated |
| 4 | 100-00014 | Drive Shaft | 15 | 80-00020 | Hex Cap Screw 3/8 UNC x 1 GR5 Zinc Plated | 26 | 80-01030 | Hex Cap Screw 1/2 UNC x 1-3/4 GR5 Zinc Plated |
| 5 | 100-00063 | U-Joint Guard | 16 | 80-00032 | Flat Washer 3/8 SAE Zinc Finish | 27 | 80-01034 | Hex Cap Screw 5/8 UNC x 1-3/4 GR5 Zinc Plated |
| 6 | 110-00018 | Gearbox Mount | 17 | 80-00033 | Split Lock Washer 3/8 Zinc Finish | 28 | 80-01052 | Hex Jam Nut 3/8 UNF GR5 Zinc Finish |
| 7 | 110-00019 | Gearbox Lever | 18 | 80-00036 | Socket Set Screw 3/8UNC x 3/8 | 29 | 80-01061 | Adjustable Yoke End 3/8 UNF Zinc Plated |
| 8 | 110-00022 | Gearbox Handle Linkage Rod | 19 | 80-00063 | Flat Washer 1/2 SAE Zinc Finish | 30 | 80-01145 | Hairpin Cotter 3/32 x 1-5/8 Zinc Finish |
| 9 | 110-00069 | Drive Shaft Guard Main | 20 | 80-00071 | Split Lock Washer 5/8 Zinc Finish | 31 | 82-03015 | Bevel Reversing Gearbox |
| 10 | 110-00071 | Drive Shaft Guard Gearbox | 21 | 80-00805 | U-Joint Assembly | | | |
| 11 | 110-00190 | Machine Key 1/4 SQR x 1 | 22 | 80-00813 | Split Wood Pillow Block Bearing 1-1/2 Bore | | | |

100-00060 - Trough Assembly Complete



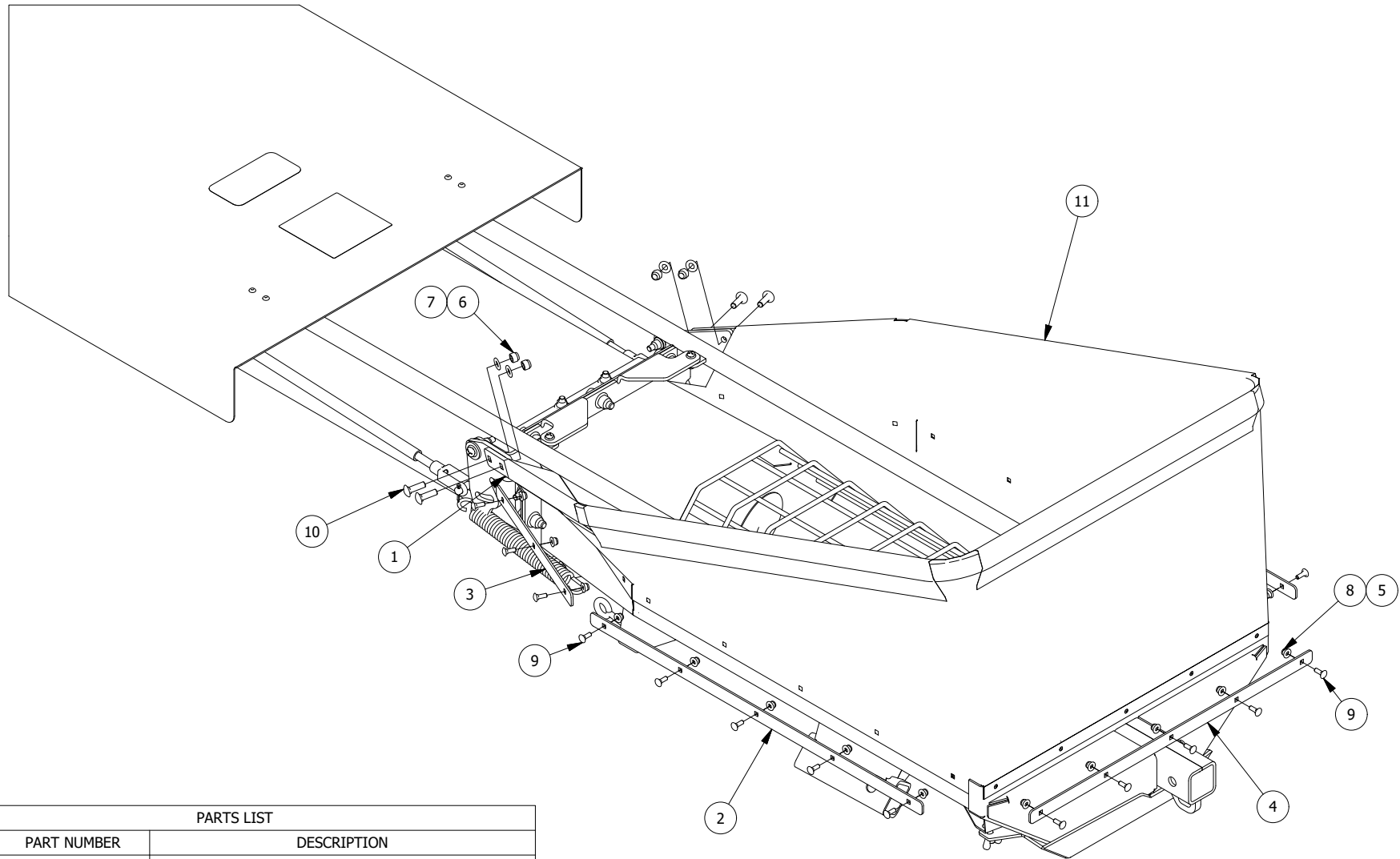
| PARTS LIST | | | PARTS LIST | | |
|------------|-------------|---|------------|-------------|---|
| ITEM | PART NUMBER | DESCRIPTION | ITEM | PART NUMBER | DESCRIPTION |
| 1 | 100-00004 | Power Head | 13 | 80-00840 | Nylon Insert Lock Nut 1/4 UNC GR5 Zinc Finish |
| 2 | 100-00015 | Powerhead Chain Tensioner | 14 | 80-01030 | Hex Cap Screw 1/2 UNC x 1-3/4 GR5 Zinc Plated |
| 3 | 100-00062 | Power Head Reduction Cover | 15 | 80-01046 | Carriage Bolt 1/4 UNC x 3/4 Zinc Finish |
| 4 | 110-00069 | Drive Shaft Guard Main | 16 | 80-01049 | Tap Bolt 1/2 UNF x 4 GR5 Zinc Plated |
| 5 | 110-00070 | Drive Shaft Guard Power Head | 17 | 80-01053 | Hex Jam Nut 1-1/4 UNF GR5 Zinc Finish |
| 6 | 110-00191 | Machine Key 1/4 SQR x 1-1/4 | 18 | 80-01054 | Flat Washer 1-1/4 SAE Zinc Finish |
| 7 | 110-00192 | Machine Key 1/4 SQR x 1-1/2 | 19 | 80-01162 | Socket Set Screw 5/16 UNC x 5/16 |
| 8 | 80-00006 | Flat Washer 1/4 SAE Zinc Finish | 20 | 82-03016 | Sprocket 32T No. 80 Chain |
| 9 | 80-00047 | Hex Cap Screw 1/2 UNC x 2 GR5 Zinc Plated | 21 | 82-03017 | Sprocket 16T No. 80 Chain |
| 10 | 80-00060 | Nylon Insert Lock Nut 1/2 UNC GR5 Zinc Finish | 22 | 82-03018 | Roller Chain #80 x 42 Pitches |
| 11 | 80-00061 | Hex Jam Nut 1/2 UNF GR5 Zinc Finish | 23 | 82-03019 | Bearing UCF207-20 |
| 12 | 80-00063 | Flat Washer 1/2 SAE Zinc Finish | | | |

100-00060 - Trough Assembly Complete



| PARTS LIST | | |
|------------|-------------|---|
| ITEM | PART NUMBER | DESCRIPTION |
| 1 | 100-00007 | Hopper Weld Assembly |
| 2 | 100-00008 | Hopper Lid |
| 3 | 100-00009 | Hopper Lid Handle |
| 4 | 100-00010 | Hopper Lid Rail |
| 5 | 100-00011 | Hopper Canvas Lever |
| 6 | 100-00012 | Hopper Canvas Rod |
| 7 | 100-00013 | Hopper Cleanout Cover |
| 8 | 110-00058 | Hopper Canvas Arm Plate R |
| 9 | 110-00059 | Hopper Canvas Arm Plate L |
| 10 | 110-00060 | Hopper Canvas Pivot Retainer |
| 11 | 110-00064 | Hopper Lid Mid Anchor Plate |
| 12 | 110-00065 | Hopper Lid Mid Anchor Clamp Plate |
| 13 | 110-00066 | Hopper Canvas Lever Plate |
| 14 | 80-00001 | Cotter Pin 1/8 x 1 Zinc Finish |
| 15 | 80-00006 | Flat Washer 1/4 SAE Zinc Finish |
| 16 | 80-00009 | Hex Cap Screw 1/4 UNC x 1 GR5 Zinc Plated |
| 17 | 80-00018 | Nylon Insert Lock Nut 3/8 UNC GR5 Zinc Finish |
| 18 | 80-00029 | Carriage 3/8 UNC x 1 Zinc Finish |
| 19 | 80-00032 | Flat Washer 3/8 SAE Zinc Finish |
| 20 | 80-00045 | Hex Cap Screw 1/2 UNC x 1-1/2 GR5 Zinc Plated |
| 21 | 80-00060 | Nylon Insert Lock Nut 1/2 UNC GR5 Zinc Finish |
| 22 | 80-00063 | Flat Washer 1/2 SAE Zinc Finish |
| 23 | 80-00070 | Flat Washer 5/8 SAE Zinc Finish |
| 24 | 80-00088 | Adjustable Yoke End 1/2 UNF Zinc Plated c/w Pin |
| 25 | 80-00840 | Nylon Insert Lock Nut 1/4 UNC GR5 Zinc Finish |
| 26 | 80-01025 | Hex Cap Screw 1/4 UNC x 2-3/4 GR5 Zinc Plated |
| 27 | 80-01026 | Hex Cap Screw 3/8 UNC x 1-1/4 GR5 Zinc Plated |
| 28 | 80-00023 | Hex Cap Screw 3/8 UNC x 2 GR5 Zinc Plated |
| 29 | 80-01030 | Hex Cap Screw 1/2 UNC x 1-3/4 GR5 Zinc Plated |
| 30 | 80-01033 | Hex Cap Screw 1/2 UNC x 8-1/2 GR5 Zinc Plated |
| 31 | 80-01041 | Button Socket Cap Screw 1/4 UNC x 1-3/4 Zinc Plated |
| 32 | 80-01043 | Button Socket Cap Screw 5/16 UNC x 1 Zinc Plated |
| 33 | 80-01047 | Carriage Bolt 3/8 UNC x 1-1/4 Zinc Finish |
| 34 | 80-01048 | Carriage Bolt 3/8 UNC x 2 Zinc Finish |
| 35 | 80-01059 | Eye Bolt 3/8 UNC x 3 Zinc Plated |
| 36 | 80-01060 | Wing Nut 3/8 UNC Zinc Plated |
| 37 | 82-00017 | Bearing 1-1/4 Bore with Lock Collar |
| 38 | 82-00018 | Bearing Flange 62MS |
| 39 | 82-03004 | Hopper Lid Slider |
| 40 | 82-03005 | Hopper Canvas Shaft Bushing |
| 41 | 82-03006 | Extension Spring |
| 42 | 82-03023 | Button Plug BPF-11/16 |

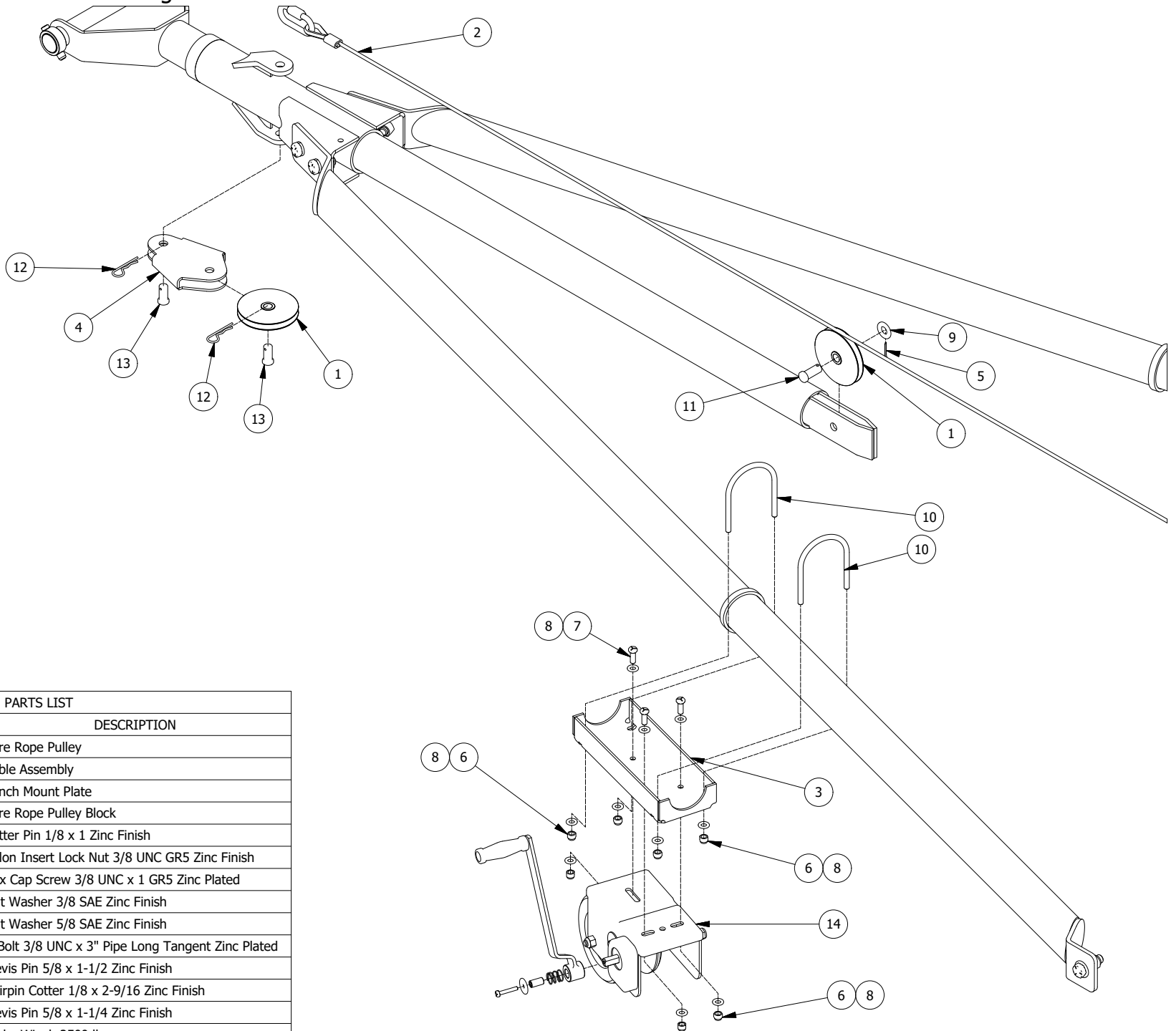
100-00060 - Trough Assembly Complete



PARTS LIST

| ITEM | PART NUMBER | DESCRIPTION |
|------|-------------|---|
| 1 | 110-00057 | Hopper Canvas Hoop |
| 2 | 110-00061 | Hopper Canvas Batten Lower |
| 3 | 110-00062 | Hopper Canvas Batten Upper |
| 4 | 110-00063 | Hopper Canvas Batten Bottom |
| 5 | 80-00006 | Flat Washer 1/4 SAE Zinc Finish |
| 6 | 80-00018 | Nylon Insert Lock Nut 3/8 UNC GR5 Zinc Finish |
| 7 | 80-00032 | Flat Washer 3/8 SAE Zinc Finish |
| 8 | 80-00840 | Nylon Insert Lock Nut 1/4 UNC GR5 Zinc Finish |
| 9 | 80-01046 | Carriage Bolt 1/4 UNC x 3/4 Zinc Finish |
| 10 | 80-01047 | Carriage Bolt 3/8 UNC x 1-1/4 Zinc Finish |
| 11 | 82-03002 | Hopper Canvas |

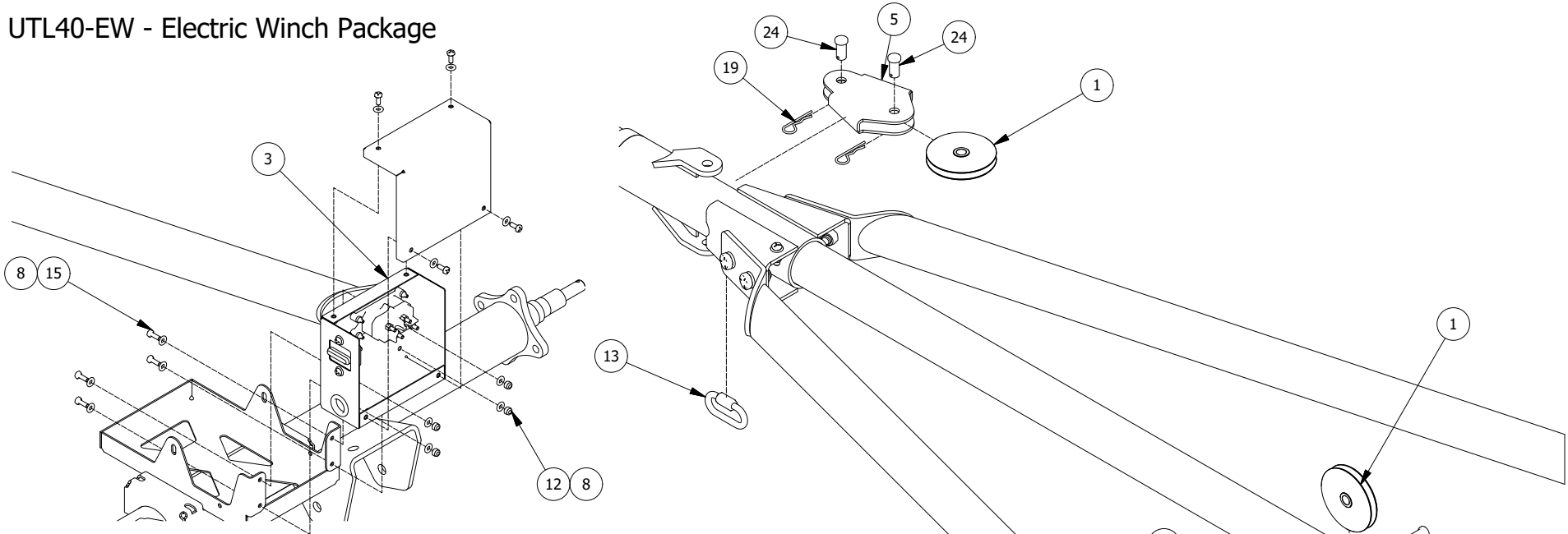
UTL40-MW - Manual Winch Package



PARTS LIST

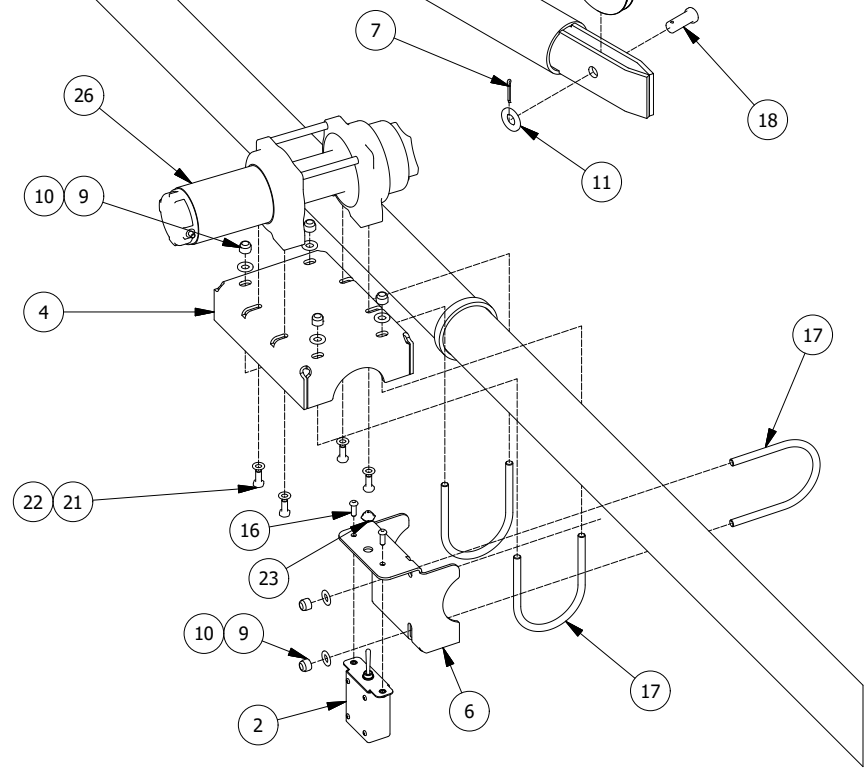
| ITEM | PART NUMBER | DESCRIPTION |
|------|-------------|---|
| 1 | 100-00100 | Wire Rope Pulley |
| 2 | 100-00101 | Cable Assembly |
| 3 | 100-00150 | Winch Mount Plate |
| 4 | 100-00156 | Wire Rope Pulley Block |
| 5 | 80-00001 | Cotter Pin 1/8 x 1 Zinc Finish |
| 6 | 80-00018 | Nylon Insert Lock Nut 3/8 UNC GR5 Zinc Finish |
| 7 | 80-00020 | Hex Cap Screw 3/8 UNC x 1 GR5 Zinc Plated |
| 8 | 80-00032 | Flat Washer 3/8 SAE Zinc Finish |
| 9 | 80-00070 | Flat Washer 5/8 SAE Zinc Finish |
| 10 | 80-01056 | U-Bolt 3/8 UNC x 3" Pipe Long Tangent Zinc Plated |
| 11 | 80-01068 | Clevis Pin 5/8 x 1-1/2 Zinc Finish |
| 12 | 80-01072 | Hairpin Cotter 1/8 x 2-9/16 Zinc Finish |
| 13 | 80-01112 | Clevis Pin 5/8 x 1-1/4 Zinc Finish |
| 14 | 82-03039 | Brake Winch 2500 lb |

UTL40-EW - Electric Winch Package

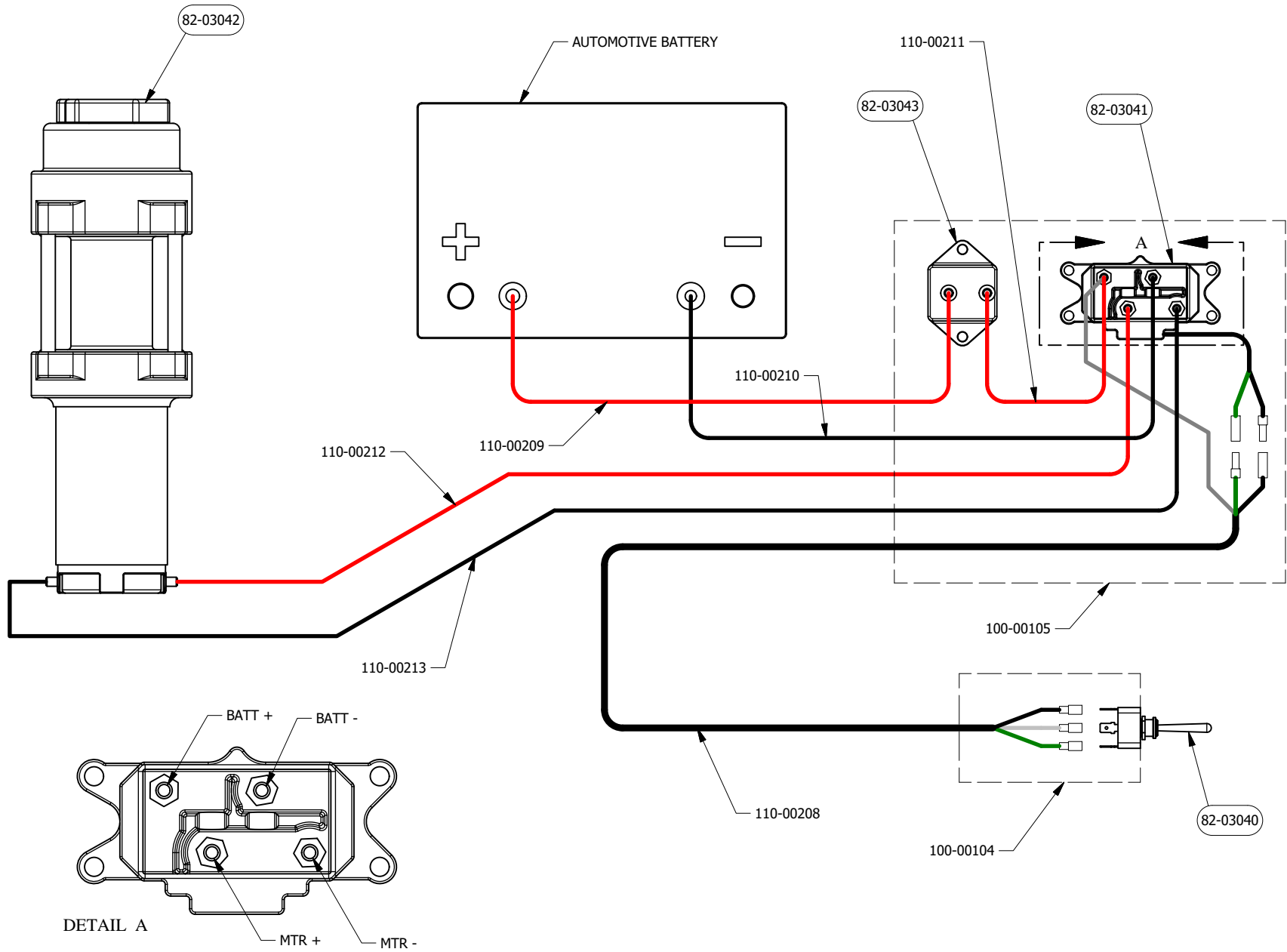


PARTS LIST

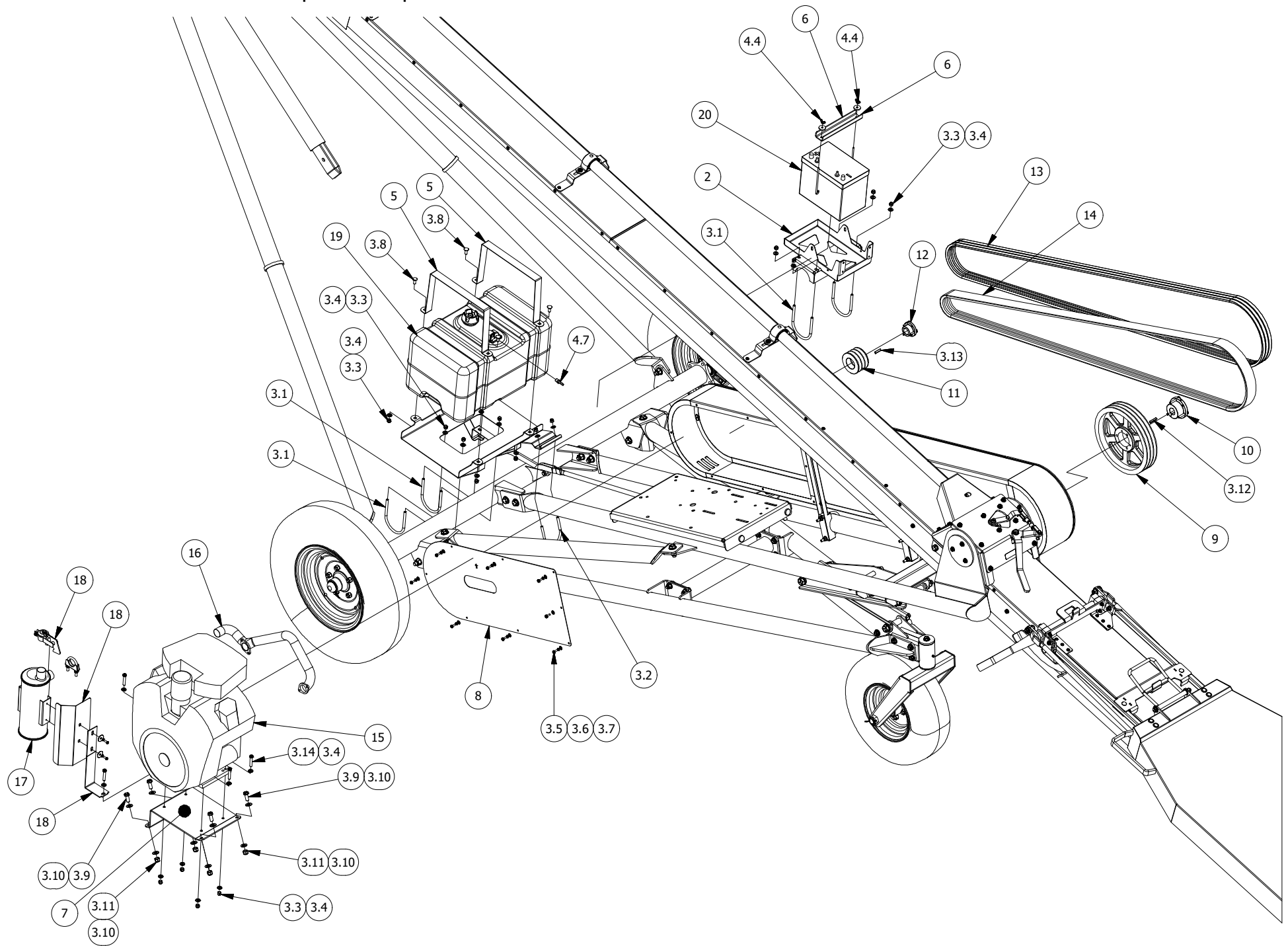
| ITEM | PART NUMBER | DESCRIPTION |
|------|-------------|---|
| 1 | 100-00100 | Wire Rope Pulley |
| 2 | 100-00104 | Winch Switch Box Assembly |
| 3 | 100-00105 | Winch Relay and Wiring |
| 4 | 100-00151 | Electric Winch Mount Plate |
| 5 | 100-00156 | Wire Rope Pulley Block |
| 6 | 110-00207 | Winch Switch Tube Mount |
| 7 | 80-00001 | Cotter Pin 1/8 x 1 Zinc Finish |
| 8 | 80-00006 | Flat Washer 1/4 SAE Zinc Finish |
| 9 | 80-00018 | Nylon Insert Lock Nut 3/8 UNC GR5 Zinc Finish |
| 10 | 80-00032 | Flat Washer 3/8 SAE Zinc Finish |
| 11 | 80-00070 | Flat Washer 5/8 SAE Zinc Finish |
| 12 | 80-00840 | Nylon Insert Lock Nut 1/4 UNC GR5 Zinc Finish |
| 13 | 80-01020 | Quick Link 7/16 Zinc Plated 2600 lb WLL |
| 14 | 80-01023 | Hex Cap Screw 1/4 UNC x 5/8 GR5 Zinc Plated |
| 15 | 80-01024 | Hex Cap Screw 1/4 UNC x 3/4 GR5 Zinc Plated |
| 16 | 80-01040 | Button Socket Cap Screw 1/4 UNC x 3/4 Zinc Plated |
| 17 | 80-01056 | U-Bolt 3/8 UNC x 3" Pipe Long Tangent Zinc Plated |
| 18 | 80-01068 | Clevis Pin 5/8 x 1-1/2 Zinc Finish |
| 19 | 80-01072 | Hairpin Cotter 1/8 x 2-9/16 Zinc Finish |
| 20 | 80-01079 | Nylon Insert Lock Nut 10-24 GR2 Zinc Finish |
| 21 | 80-01082 | Hex Cap Screw M8-1.25 x 20 GR8.8 Zinc Finish |
| 22 | 80-01083 | Flat Washer M8 DIN125A Zinc Finish |
| 23 | 80-01110 | Toggle Switch Weather Seal |
| 24 | 80-01112 | Clevis Pin 5/8 x 1-1/4 Zinc Finish |
| 26 | 82-03042 | Electric Winch 4000 lb |



UTL40-EW - Electric Winch Package Wiring Diagram

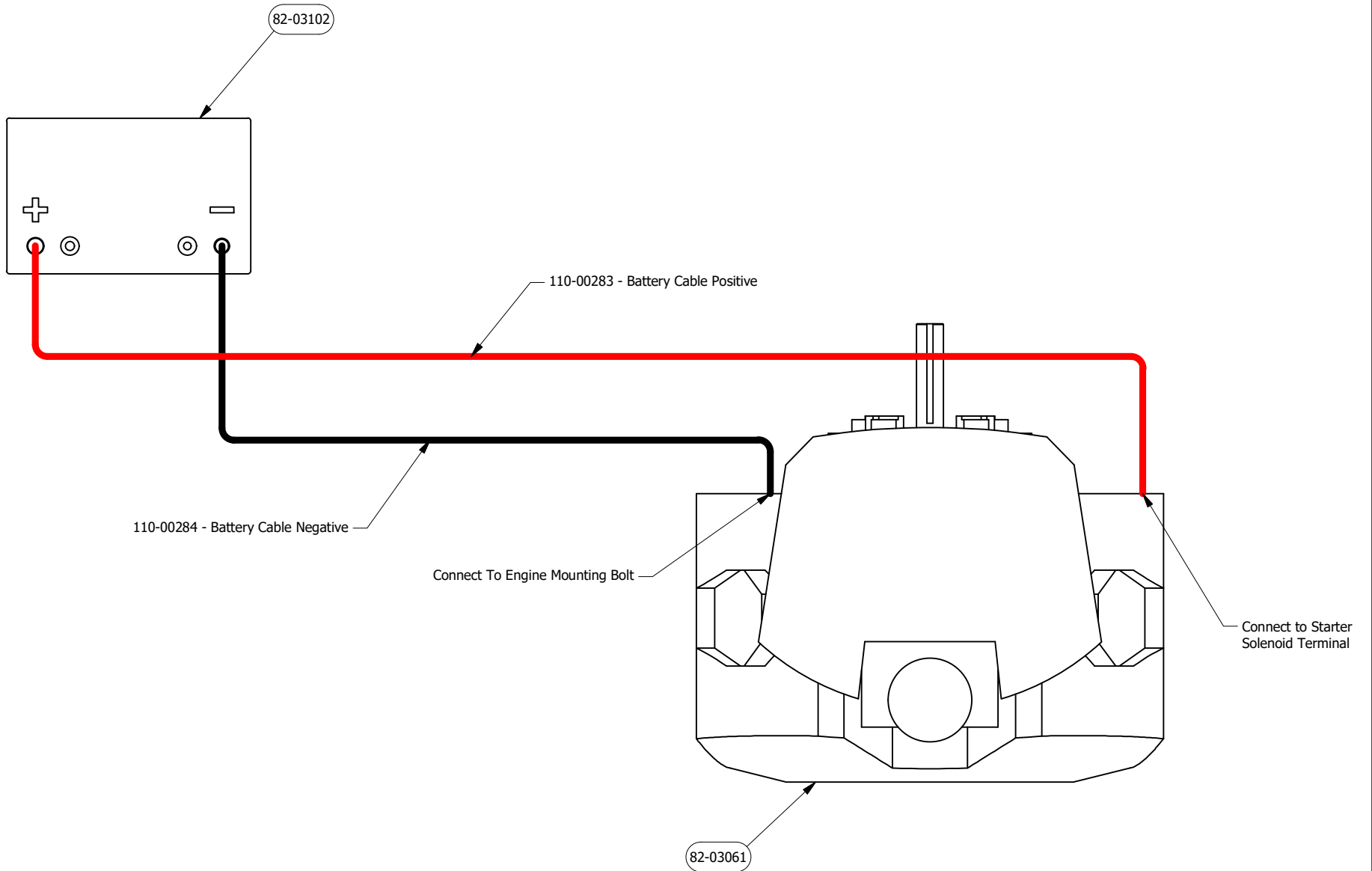


UTL40-CH980 - Kohler 38Hp Power Option

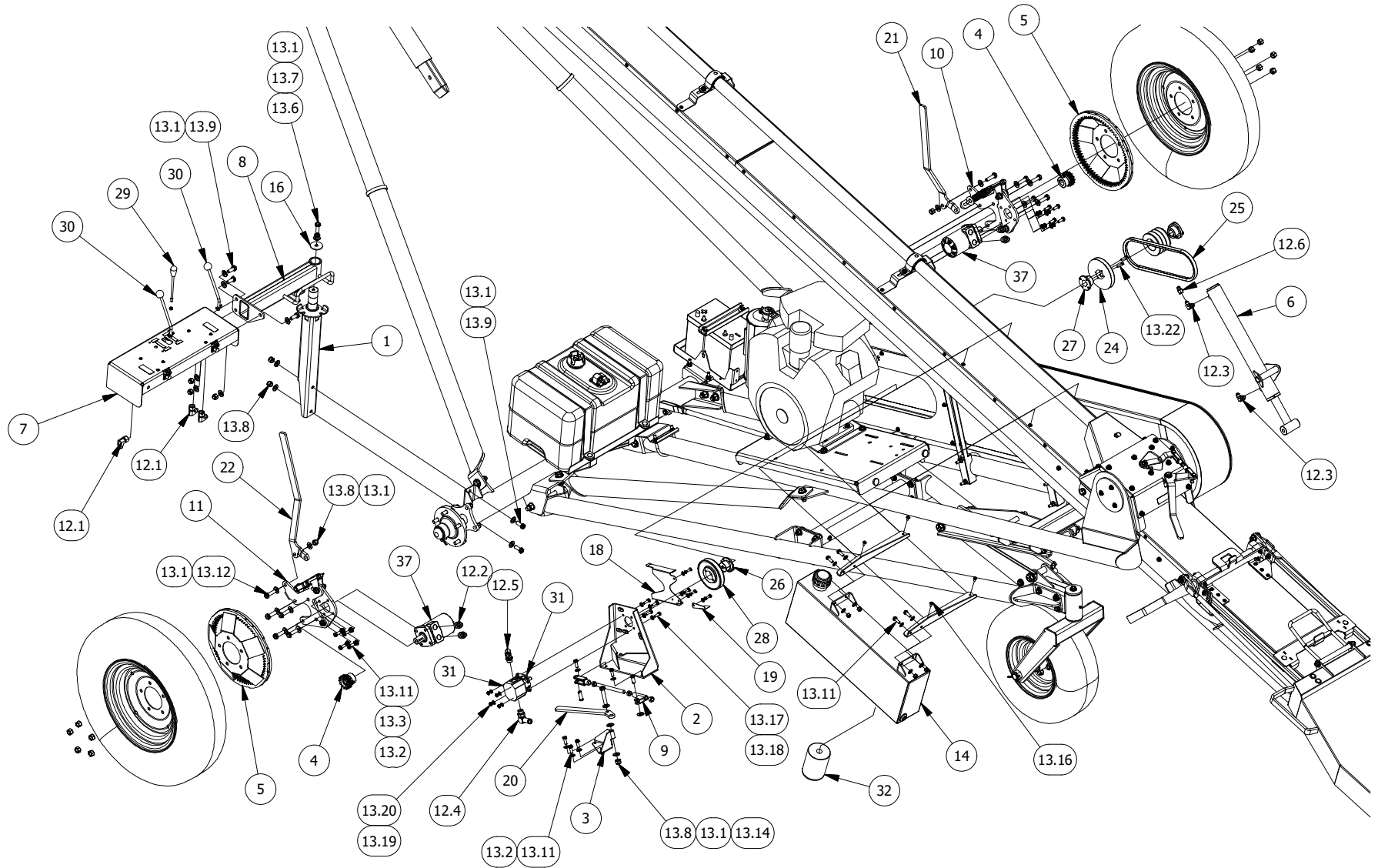


| PARTS LIST | | | |
|------------|-----|-------------|---|
| ITEM | QTY | PART NUMBER | DESCRIPTION |
| 1 | 1 | 100-00117 | Fuel Tank Mount |
| 2 | 1 | 100-00118 | Battery Mount |
| 3 | 1 | 100-00119 | CH980 Power Option Hardware Package |
| 3.1 | 4 | 80-01057 | U-Bolt 3/8 UNC x 3-1/2" Pipe Zinc Plated |
| 3.2 | 1 | 80-01055 | U-Bolt 3/8 UNC x 3" Pipe Zinc Plated |
| 3.3 | 18 | 80-00018 | Nylon Insert Lock Nut 3/8 UNC GR5 Zinc Finish |
| 3.4 | 22 | 80-00032 | Flat Washer 3/8 SAE Zinc Finish |
| 3.5 | 8 | 80-01024 | Hex Cap Screw 1/4 UNC x 3/4 GR5 Zinc Plated |
| 3.6 | 8 | 80-00004 | Split Lock Washer 1/4 Zinc Finish |
| 3.7 | 8 | 80-00006 | Flat Washer 1/4 SAE Zinc Finish |
| 3.8 | 4 | 80-00029 | Carriage 3/8 UNC x 1 Zinc Finish |
| 3.9 | 4 | 80-01029 | Hex Cap Screw 1/2 UNC x 1-1/4 GR5 Zinc Plated |
| 3.10 | 8 | 80-00063 | Flat Washer 1/2 SAE Zinc Finish |
| 3.11 | 4 | 80-00060 | Nylon Insert Lock Nut 1/2 UNC GR5 Zinc Finish |
| 3.12 | 1 | 110-00192 | Machine Key 1/4 SQR x 1-1/2 |
| 3.13 | 1 | 110-00191 | Machine Key 1/4 SQR x 1-1/4 |
| 3.14 | 4 | 80-00023 | Hex Cap Screw 3/8 UNC x 2 GR5 Zinc Plated |
| 4 | 1 | 100-00139 | CH980 Electrical and Fuel Supply Hardware Package |
| 4.1 | 1 | 110-00234 | Fuel Hose |
| 4.2 | 1 | 110-00283 | Battery Cable Positive |
| 4.3 | 1 | 110-00284 | Battery Cable Negative |
| 4.4 | 1 | 80-01089 | Battery Hold Down Bolt Pico 870-PR |
| 4.5 | 1 | 80-01114 | Cushion Clamp 2-1/8 x 1/2 Med Duty Vinyl |
| 4.6 | 2 | 80-01113 | Spring Hose Clamp 1/2" OD |
| 4.7 | 1 | 83-00517 | Adapter 1/4 NPTM - 1/4 Hose Barb Brass |
| 5 | 2 | 110-00233 | Fuel Tank Hold Down Strap |
| 6 | 1 | 110-00237 | Battery Mount Strap |
| 7 | 1 | 110-00238 | Kohler Mount Adaptor |
| 8 | 1 | 110-00239 | Guard Cover Plate Kohler |
| 9 | 1 | 82-00009 | 12.4" 3 Groove Pulley |
| 10 | 1 | 82-00010 | SK 1-1/4 Bushing |
| 11 | 1 | 82-02035 | 3B36SH Sheave |
| 12 | 1 | 82-02037 | SH Bushing 1-1/8 Bore |
| 13 | 3 | 82-03049 | V-Belt B169 |
| 14 | 1 | 82-03053 | V-Belt Banded 3/B162 |
| 15 | 1 | 82-03061 | Kohler CH980 Engine |
| 16 | 1 | 82-03062 | Kohler Exhaust Manifold LH |
| 17 | 1 | 82-03063 | Kohler Muffler |
| 18 | 1 | 82-03064 | Kohler Muffler Mounting Kit |
| 19 | 1 | 82-03066 | 12 Gal Fuel Tank |
| 20 | 1 | 82-03102 | Battery Group 24 |

UTL40-CH980 - Kohler 38Hp Power Option Wiring Diagram

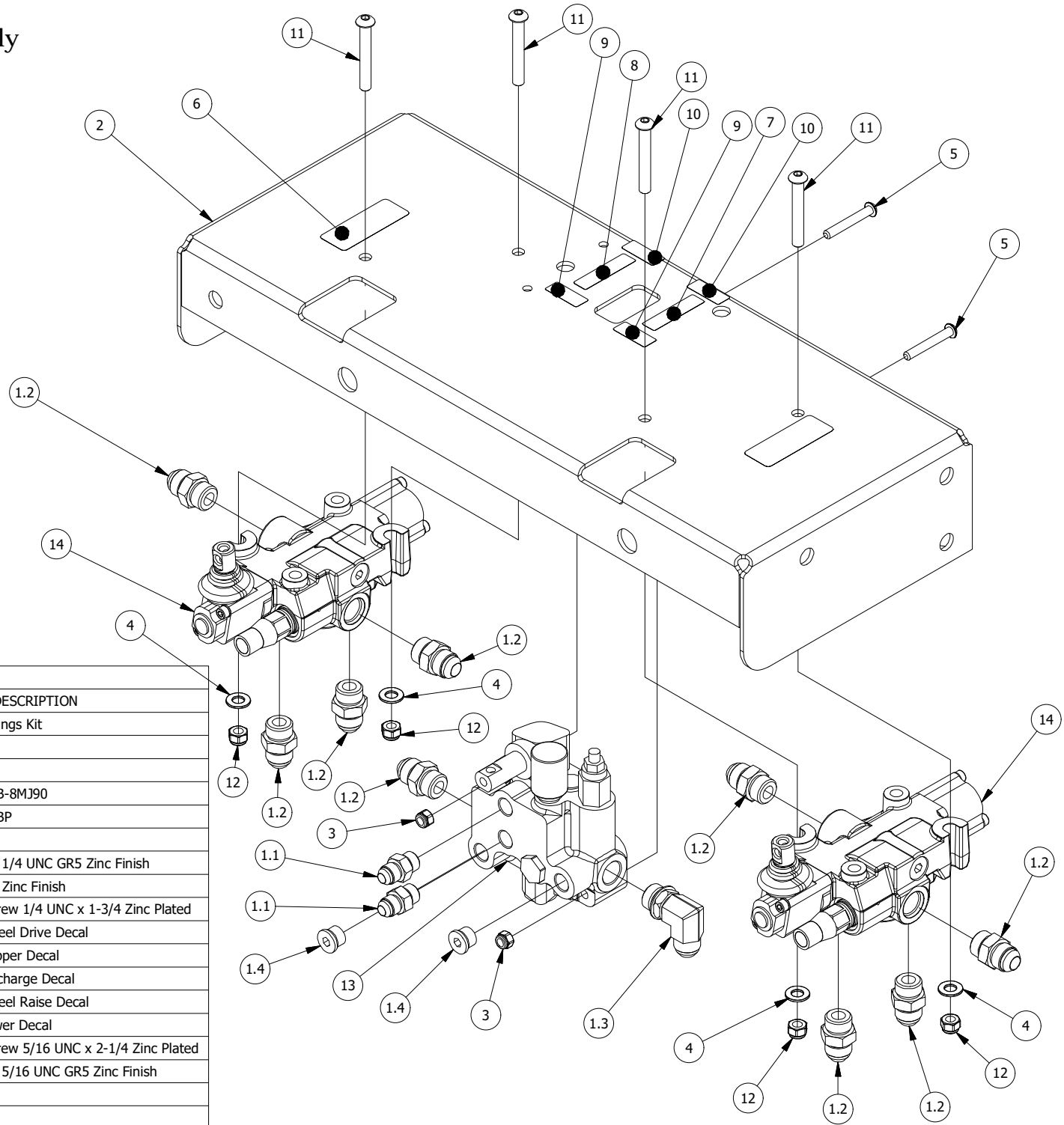


UTL40-CH980-HM - Hydraulic Mover Kit For Kohler 38hp



| PARTS LIST | | | | PARTS LIST | | | |
|------------|-----|-------------|---|------------|-----|---------------|--|
| ITEM | QTY | PART NUMBER | DESCRIPTION | ITEM | QTY | PART NUMBER | DESCRIPTION |
| 1 | 1 | 100-00123 | Console Stand | 15.4 | 1 | 110-00288 | Hose Assembly 08-08FJX-08FJX90S-32" |
| 2 | 1 | 100-00125 | Hydraulic Pump Mount | 15.5 | 2 | 110-00289 | Hose Assembly 08-08FJX-08FJX90S-115" |
| 3 | 1 | 100-00126 | Pump Tension Anchor | 15.6 | 1 | 110-00290 | Hose Assembly 08-08FJX-08FJX90S-24" |
| 4 | 2 | 100-00128 | Pinion Gear | 15.7 | 1 | 110-00291 | Hose Assembly 06-06FJX-06FJX90L-160" |
| 5 | 2 | 100-00129 | Ring Gear | 15.8 | 2 | 110-00292 | Hose Assembly 06-06FJX-06FJX90S-177" |
| 6 | 1 | 100-00132 | Hydraulic Front Wheel Cylinder | 15.9 | 1 | 110-00293 | Hose Assembly 08-08FJX-08FJX90S-171" |
| 7 | 1 | 100-00133 | Console Assembly | 16 | 1 | 110-00251 | Console Retaining Washer |
| 8 | 1 | 100-00134 | Console Arm Assembly | 17 | 2 | 110-00257 | Hydraulic Tank Mount Arm |
| 9 | 1 | 100-00135 | Pump Belt Tension Link | 18 | 1 | 110-00260 | Pump Belt Guide |
| 10 | 1 | 100-00136 | Wheel Drive Assembly Right | 19 | 1 | 110-00261 | Pump Belt End Guide |
| 11 | 1 | 100-00137 | Wheel Drive Assembly Left | 20 | 1 | 110-00267 | Pump Tension Handle |
| 12 | 1 | 100-00140 | Hydraulic Drive Fitting Kit | 21 | 1 | 110-00279 | Right Wheel Drive Handle |
| 12.5 | 1 | 10MB-8MJ90 | Hydraulic Adapter 10MB-8MJ90 | 22 | 1 | 110-00280 | Left Wheel Drive Handle |
| 12.2 | 4 | 83-00148 | 10MB-8MJ | 23 | 1 | 110-00282 | Guard Cover Plate Kohler Hydraulic |
| 12.1 | 3 | 83-00352 | 8MJ-8FJX90 | 24 | 1 | 82-03008 | 1B50H Sheave |
| 12.3 | 2 | 83-00421 | 6MB-6MJ90 | 25 | 1 | 82-03052 | V-Belt BX37 |
| 12.4 | 1 | 83-00514 | Hydraulic Adapter 3/4 Hose Bead - 10 ORB 90 | 26 | 1 | 82-03067 | H 1/2 Bushing |
| 12.6 | 1 | 83-00526 | Orifice Fitting 06FJ-06MJ x 0.047 | 27 | 1 | 82-03068 | H 1-1/8 Bushing |
| 13 | 1 | 100-00141 | Hydraulic Drive Assembly Hardware Kit | 28 | 1 | 82-03096 | BK55H Sheave |
| 13.5 | 12 | 80-00004 | Split Lock Washer 1/4 Zinc Finish | 29 | 1 | 83-00501 | Bib Valve Handle |
| 13.4 | 12 | 80-00006 | Flat Washer 1/4 SAE Zinc Finish | 30 | 2 | 83-00503 REV1 | Brand "L" Handle Sub-Assembly |
| 13.10 | 9 | 80-00018 | Nylon Insert Lock Nut 3/8 UNC GR5 Zinc Finish | 31 | 1 | 83-00505 | Haldex Pump G1224C3A300N00 .388 cu-in |
| 13.11 | 17 | 80-00020 | Hex Cap Screw 3/8 UNC x 1 GR5 Zinc Plated | 32 | 1 | 83-00511 | Hydraulic Filter Cartridge |
| 13.2 | 26 | 80-00032 | Flat Washer 3/8 SAE Zinc Finish | 33 | 2 | 83-00512 | Hose Clamp #12 3/4 - 1-1/4 x 9/16 |
| 13.3 | 8 | 80-00033 | Split Lock Washer 3/8 Zinc Finish | 34 | 1 | 83-00523 | Seal Kit - Concentric GC Pump |
| 13.6 | 1 | 80-00045 | Hex Cap Screw 1/2 UNC x 1-1/2 GR5 Zinc Plated | 35 | 1 | 83-00524 | Seal Kit - Char-Lynn (101-) H series Motor |
| 13.8 | 16 | 80-00060 | Nylon Insert Lock Nut 1/2 UNC GR5 Zinc Finish | 36 | 1 | 83-00525 | Seal Kit - BMPH Motor |
| 13.7 | 1 | 80-00062 | Split Lock Washer 1/2 Zinc Finish | 37 | 2 | 83-00533 | Brevini Hydraulic Motor 10.08 cu-in/rev |
| 13.1 | 35 | 80-00063 | Flat Washer 1/2 SAE Zinc Finish | 38 | 1 | 83-00536 | Seal Kit - Brevini Motor |
| 13.19 | 4 | 80-00131 | Split Lock Washer 5/16 Zinc Finish | | | | |
| 13.21 | 8 | 80-00138 | Hex Cap Screw 1/4 UNC x 1/2 GR5 Zinc Plated | | | | |
| 13.20 | 4 | 80-00886 | Nut 5/16 UNC Zinc Plated | | | | |
| 13.17 | 4 | 80-00930 | Hex Cap Screw 5/16 UNC x 1 GR5 Zinc Plated | | | | |
| 13.18 | 4 | 80-00982 | Flat Washer 5/16 SAE Zinc Finish | | | | |
| 13.16 | 4 | 80-01021 | Structural Rivet Klik-Lok SB86KL | | | | |
| 13.13 | 4 | 80-01024 | Hex Cap Screw 1/4 UNC x 3/4 GR5 Zinc Plated | | | | |
| 13.9 | 5 | 80-01029 | Hex Cap Screw 1/2 UNC x 1-1/4 GR5 Zinc Plated | | | | |
| 13.12 | 10 | 80-01030 | Hex Cap Screw 1/2 UNC x 1-3/4 GR5 Zinc Plated | | | | |
| 13.14 | 1 | 80-01031 | Hex Cap Screw 1/2 UNC x 2-3/4 GR5 Zinc Plated | | | | |
| 13.15 | 1 | 80-01066 | Clevis Pin 1/2 x 1 Zinc Finish | | | | |
| 13.22 | 2 | 80-01118 | Socket Cap Screw 1/4 UNC x 1 GR5 Zinc Finish | | | | |
| 14 | 1 | 100-00181 | Hydraulic Tank Assembly | | | | |
| 15 | 1 | 100-00190 | Hose Kit CH980-HM | | | | |
| 15.1 | 1 | 110-00285 | Suction Hose -12 x 48" | | | | |
| 15.2 | 1 | 110-00286 | Hose Assembly 08-08FJX-08FJX90S-139" | | | | |
| 15.3 | 2 | 110-00287 | Hose Assembly 08-08FJX-08FJX90S-70" | | | | |

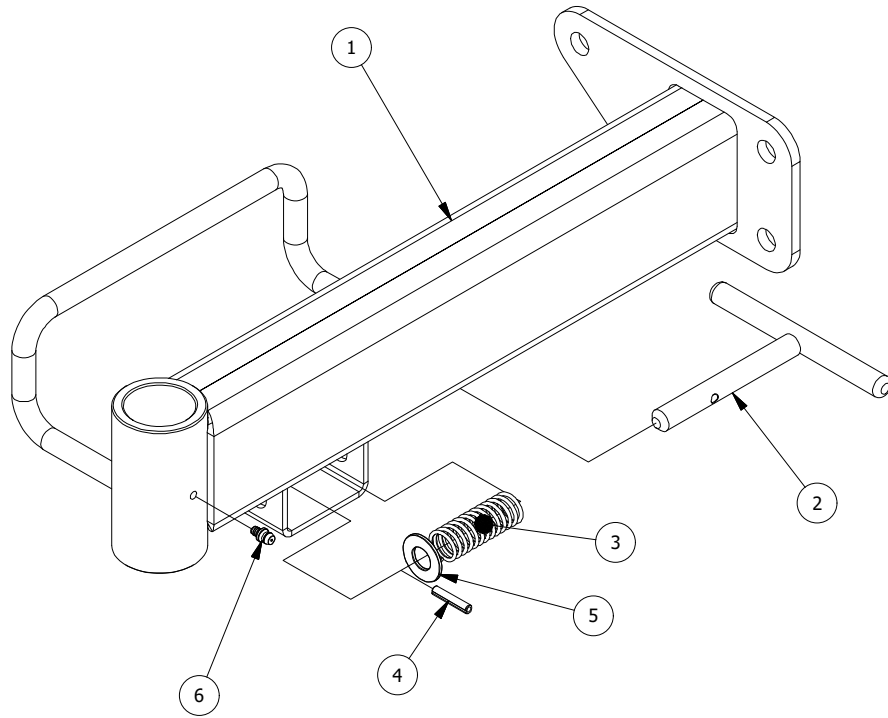
100-00193 - Console Assembly



PARTS LIST

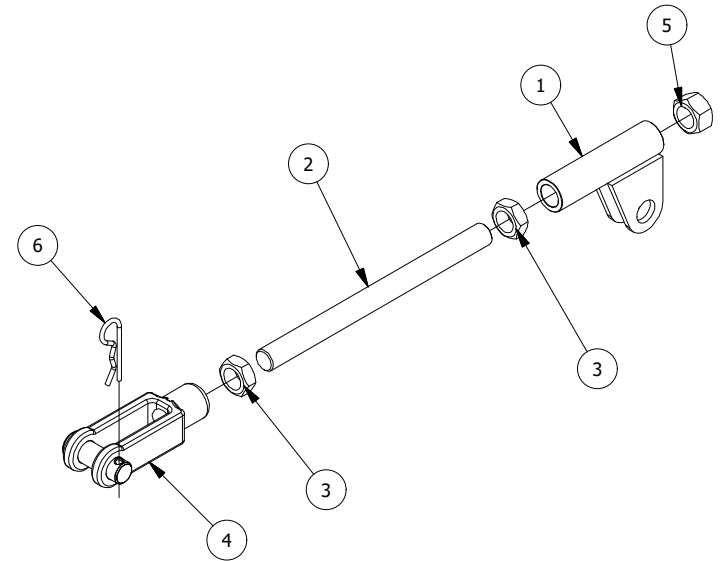
| ITEM | QTY | PART NUMBER | DESCRIPTION |
|------|-----|-------------|--|
| 1 | 1 | 100-00192 | Console Hydraulic Fittings Kit |
| 1.1 | 2 | 83-00314 | 6MB-6MJ |
| 1.2 | 9 | 83-00333 | 8MB-8MJ |
| 1.3 | 1 | 8MB-8MJ90 | Hydraulic Adapter 8MB-8MJ90 |
| 1.4 | 2 | 6MBP | Hydraulic Adapter 6MBP |
| 2 | 1 | 100-00194 | Console Valve Plate |
| 3 | 2 | 80-00840 | Nylon Insert Lock Nut 1/4 UNC GR5 Zinc Finish |
| 4 | 4 | 80-00982 | Flat Washer 5/16 SAE Zinc Finish |
| 5 | 2 | 80-01041 | Button Socket Cap Screw 1/4 UNC x 1-3/4 Zinc Plated |
| 6 | 2 | 80-01147 | Hydraulic Console Wheel Drive Decal |
| 7 | 1 | 80-01148 | Hydraulic Console Hopper Decal |
| 8 | 1 | 80-01149 | Hydraulic Console Discharge Decal |
| 9 | 2 | 80-01150 | Hydraulic Console Wheel Raise Decal |
| 10 | 2 | 80-01151 | Hydraulic Console Lower Decal |
| 11 | 4 | 80-01185 | Button Socket Cap Screw 5/16 UNC x 2-1/4 Zinc Plated |
| 12 | 4 | 80-01187 | Nylon Insert Lock Nut 5/16 UNC GR5 Zinc Finish |
| 13 | 1 | 83-00500 | Bib Valve BF201/1 |
| 14 | 2 | 83-00534 | Salami Valve VDM6 |

100-00134 - Console Arm Assembly



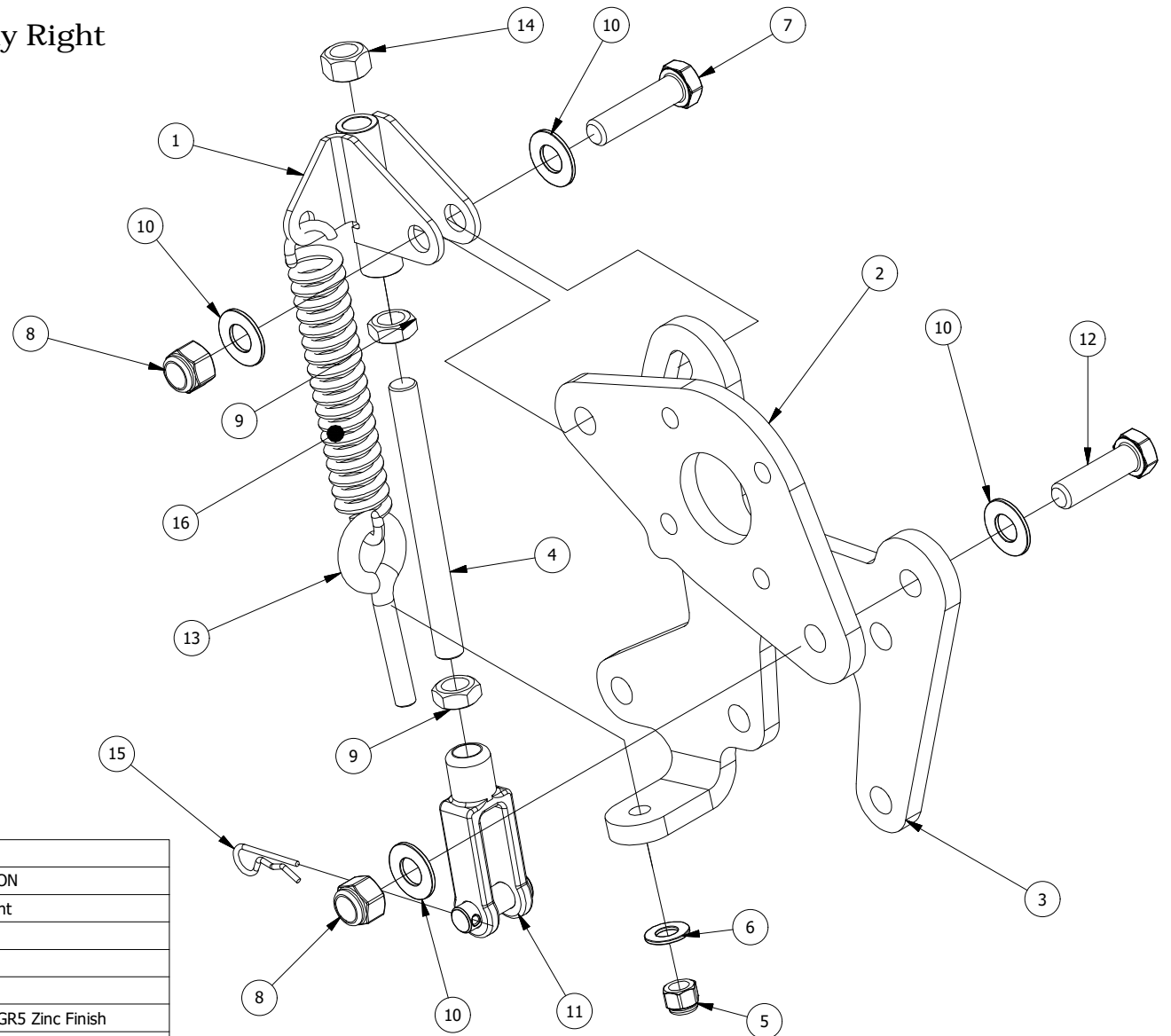
| PARTS LIST | | | |
|------------|-----|-------------|---|
| ITEM | QTY | PART NUMBER | DESCRIPTION |
| 1 | 1 | 100-00121 | Console Arm |
| 2 | 1 | 100-00122 | Console Arm Pin |
| 3 | 1 | 82-03022 | Compression Spring 3/4 x 2 Zinc Finish |
| 4 | 1 | 80-01064 | Spring Pin 3/16 x 1 Plain Finish |
| 5 | 1 | 80-00063 | Flat Washer 1/2 SAE Zinc Finish |
| 6 | 1 | 80-01164 | Grease Zerk Straight 3/16 Drive Zinc Plated |

100-00135 - Pump Belt Tension Link



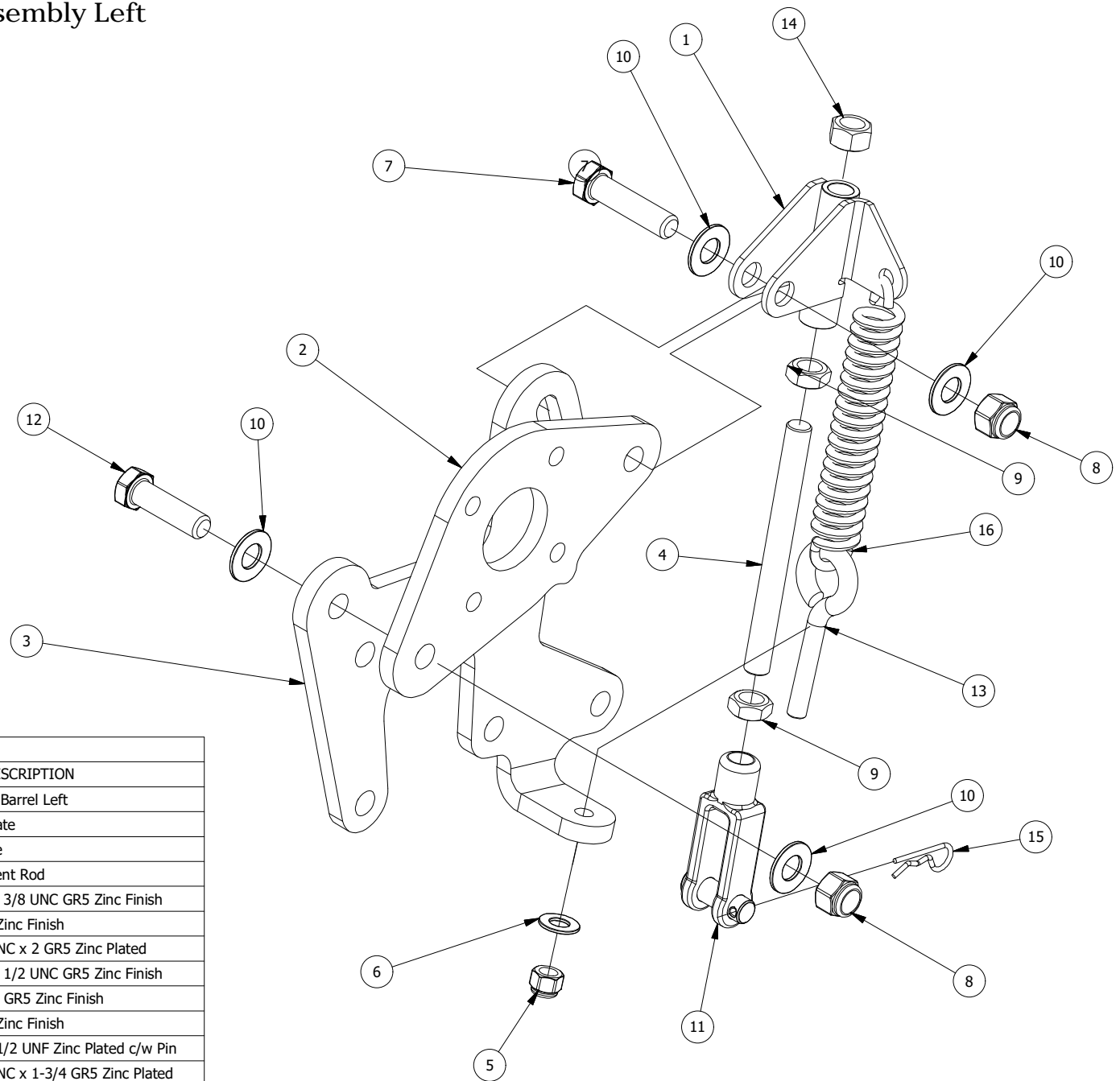
| PARTS LIST | | | |
|------------|-----|-------------|---|
| ITEM | QTY | PART NUMBER | DESCRIPTION |
| 1 | 1 | 100-00127 | Pump Tension Adjustment Link |
| 2 | 1 | 110-00266 | Pump Tension Link Screw |
| 3 | 2 | 80-00061 | Hex Jam Nut 1/2 UNF GR5 Zinc Finish |
| 4 | 1 | 80-00088 | Adjustable Yoke End 1/2 UNF Zinc Plated c/w Pin |
| 5 | 1 | 80-01116 | Nut 1/2-20 UNF Zinc Finish |
| 6 | 1 | 80-01145 | Hairpin Cotter 3/32 x 1-5/8 Zinc Finish |

100-00136 - Wheel Drive Assembly Right



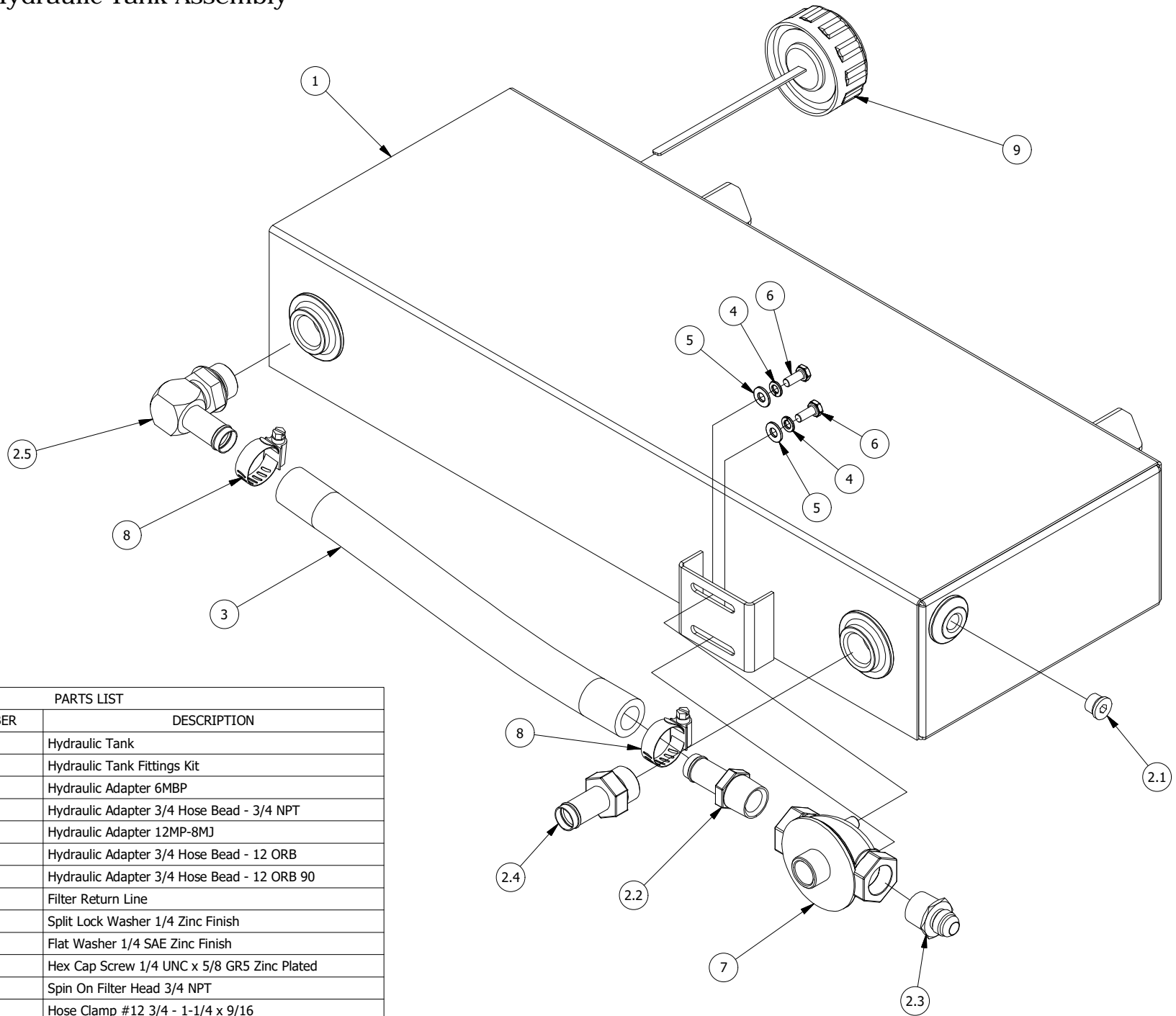
| PARTS LIST | | | |
|------------|-----|-------------|---|
| ITEM | QTY | PART NUMBER | DESCRIPTION |
| 1 | 1 | 100-00130 | Wheel Motor Tension Barrel Right |
| 2 | 1 | 110-00276 | Wheel Drive Motor Plate |
| 3 | 1 | 110-00277 | Right Wheel Drive Plate |
| 4 | 1 | 110-00281 | Wheel Drive Adjustment Rod |
| 5 | 1 | 80-00018 | Nylon Insert Lock Nut 3/8 UNC GR5 Zinc Finish |
| 6 | 1 | 80-00032 | Flat Washer 3/8 SAE Zinc Finish |
| 7 | 1 | 80-00047 | Hex Cap Screw 1/2 UNC x 2 GR5 Zinc Plated |
| 8 | 2 | 80-00060 | Nylon Insert Lock Nut 1/2 UNC GR5 Zinc Finish |
| 9 | 2 | 80-00061 | Hex Jam Nut 1/2 UNF GR5 Zinc Finish |
| 10 | 4 | 80-00063 | Flat Washer 1/2 SAE Zinc Finish |
| 11 | 1 | 80-00088 | Adjustable Yoke End 1/2 UNF Zinc Plated c/w Pin |
| 12 | 1 | 80-01030 | Hex Cap Screw 1/2 UNC x 1-3/4 GR5 Zinc Plated |
| 13 | 1 | 80-01058 | Eye Bolt 3/8 UNC x 2 Zinc Plated |
| 14 | 1 | 80-01116 | Nut 1/2-20 UNF Zinc Finish |
| 15 | 1 | 80-01145 | Hairpin Cotter 3/32 x 1-5/8 Zinc Finish |
| 16 | 1 | 82-03010 | Extension Spring |

100-00137 - Wheel Drive Assembly Left



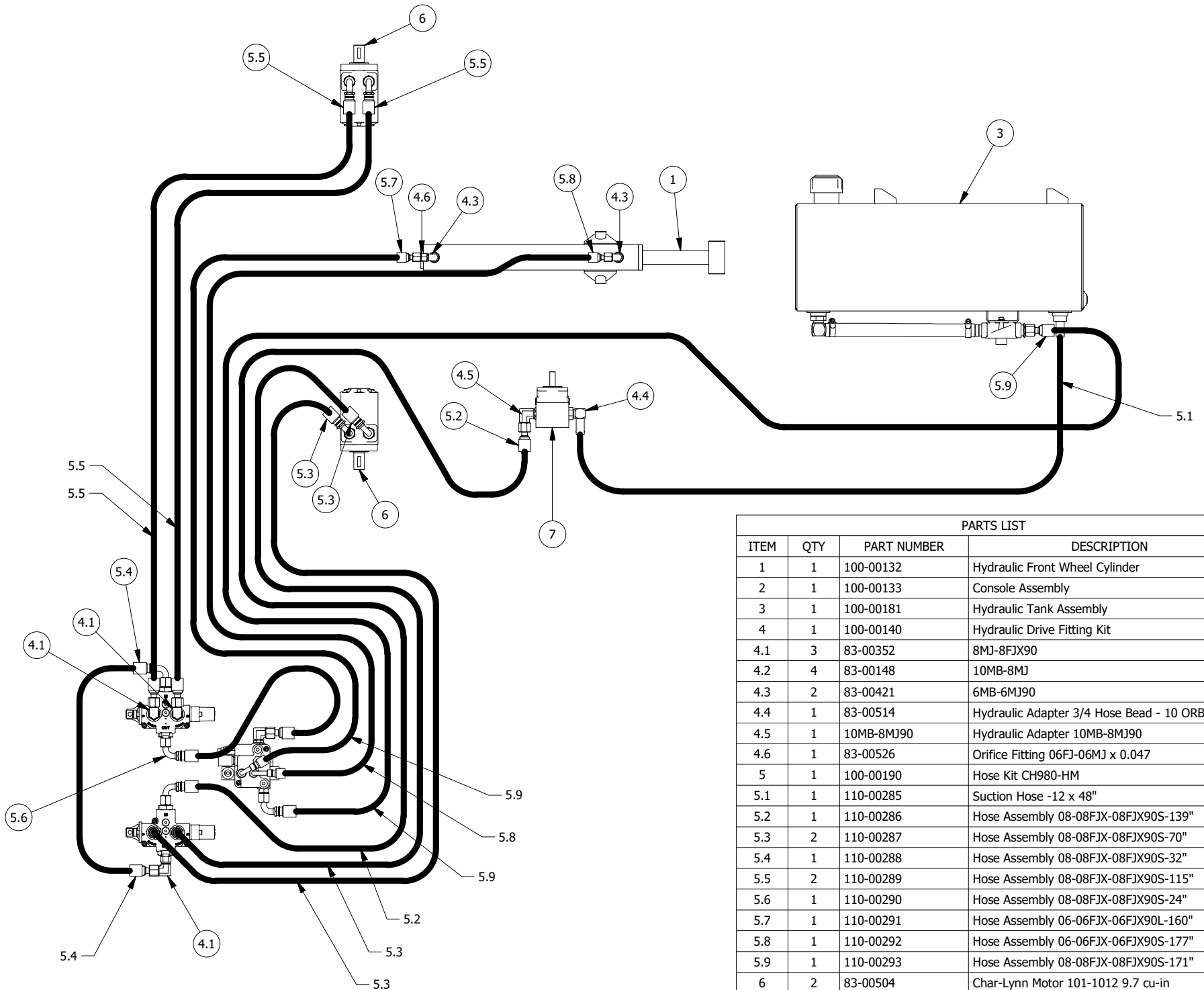
| PARTS LIST | | | |
|------------|-----|-------------|---|
| ITEM | QTY | PART NUMBER | DESCRIPTION |
| 1 | 1 | 100-00131 | Wheel Motor Tension Barrel Left |
| 2 | 1 | 110-00276 | Wheel Drive Motor Plate |
| 3 | 1 | 110-00278 | Left Wheel Drive Plate |
| 4 | 1 | 110-00281 | Wheel Drive Adjustment Rod |
| 5 | 1 | 80-00018 | Nylon Insert Lock Nut 3/8 UNC GR5 Zinc Finish |
| 6 | 1 | 80-00032 | Flat Washer 3/8 SAE Zinc Finish |
| 7 | 1 | 80-00047 | Hex Cap Screw 1/2 UNC x 2 GR5 Zinc Plated |
| 8 | 2 | 80-00060 | Nylon Insert Lock Nut 1/2 UNC GR5 Zinc Finish |
| 9 | 2 | 80-00061 | Hex Jam Nut 1/2 UNF GR5 Zinc Finish |
| 10 | 4 | 80-00063 | Flat Washer 1/2 SAE Zinc Finish |
| 11 | 1 | 80-00088 | Adjustable Yoke End 1/2 UNF Zinc Plated c/w Pin |
| 12 | 1 | 80-01030 | Hex Cap Screw 1/2 UNC x 1-3/4 GR5 Zinc Plated |
| 13 | 1 | 80-01058 | Eye Bolt 3/8 UNC x 2 Zinc Plated |
| 14 | 1 | 80-01116 | Nut 1/2-20 UNF Zinc Finish |
| 15 | 1 | 80-01145 | Hairpin Cotter 3/32 x 1-5/8 Zinc Finish |
| 16 | 1 | 82-03010 | Extension Spring |

100-00181 - Hydraulic Tank Assembly



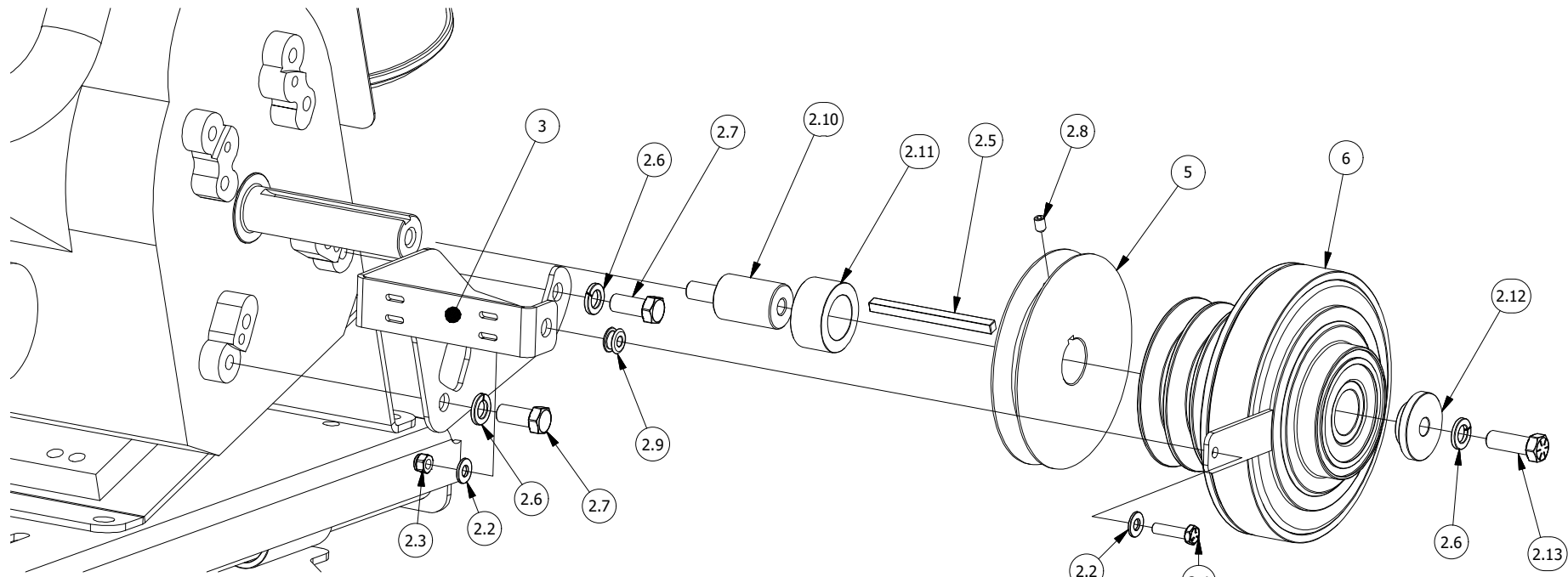
PARTS LIST

| ITEM | QTY | PART NUMBER | DESCRIPTION |
|------|-----|-------------|---|
| 1 | 1 | 100-00180 | Hydraulic Tank |
| 2 | 1 | 100-00183 | Hydraulic Tank Fittings Kit |
| 2.1 | 1 | 6MBP | Hydraulic Adapter 6MBP |
| 2.2 | 1 | 83-00513 | Hydraulic Adapter 3/4 Hose Bead - 3/4 NPT |
| 2.3 | 1 | 12MP-8MJ | Hydraulic Adapter 12MP-8MJ |
| 2.4 | 1 | 83-00527 | Hydraulic Adapter 3/4 Hose Bead - 12 ORB |
| 2.5 | 1 | 83-00528 | Hydraulic Adapter 3/4 Hose Bead - 12 ORB 90 |
| 3 | 1 | 110-00360 | Filter Return Line |
| 4 | 2 | 80-00004 | Split Lock Washer 1/4 Zinc Finish |
| 5 | 2 | 80-00006 | Flat Washer 1/4 SAE Zinc Finish |
| 6 | 2 | 80-01023 | Hex Cap Screw 1/4 UNC x 5/8 GR5 Zinc Plated |
| 7 | 1 | 83-00510 | Spin On Filter Head 3/4 NPT |
| 8 | 2 | 83-00512 | Hose Clamp #12 3/4 - 1-1/4 x 9/16 |
| 9 | 1 | 83-00532 | Filler Cap Stamped w Dipstick |



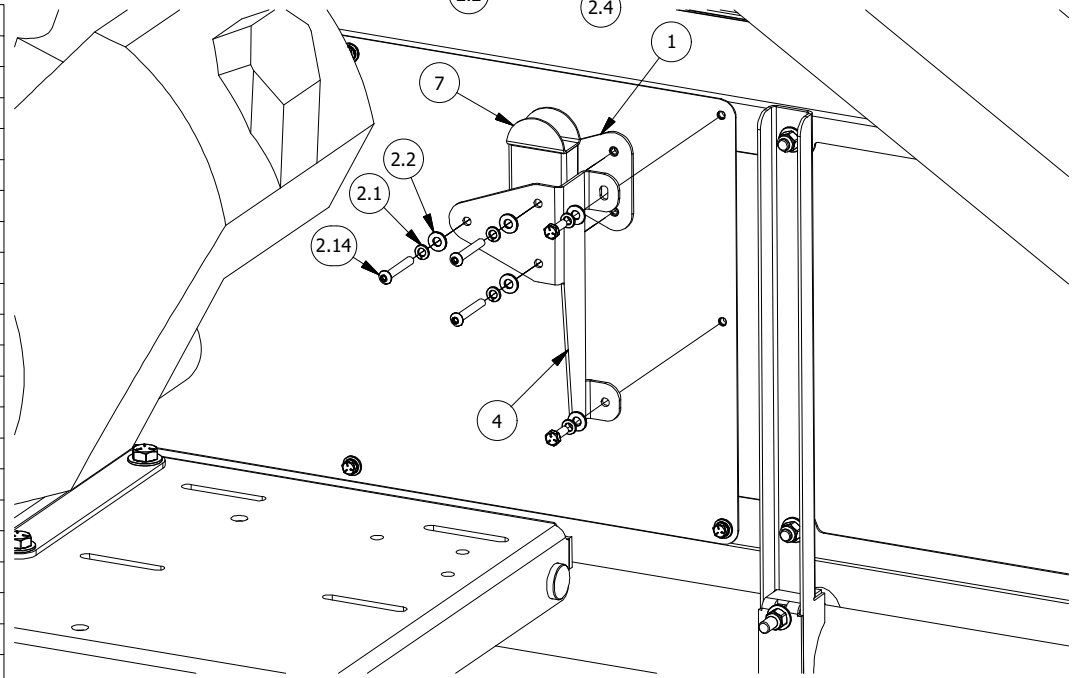
| PARTS LIST | | | |
|------------|-----|-------------|---|
| ITEM | QTY | PART NUMBER | DESCRIPTION |
| 1 | 1 | 100-00132 | Hydraulic Front Wheel Cylinder |
| 2 | 1 | 100-00133 | Console Assembly |
| 3 | 1 | 100-00181 | Hydraulic Tank Assembly |
| 4 | 1 | 100-00140 | Hydraulic Drive Fitting Kit |
| 4.1 | 3 | 83-00352 | 8MJ-8FJX90 |
| 4.2 | 4 | 83-00148 | 10MB-8MJ |
| 4.3 | 2 | 83-00421 | 6MB-6MJ90 |
| 4.4 | 1 | 83-00514 | Hydraulic Adapter 3/4 Hose Bead - 10 ORB 90 |
| 4.5 | 1 | 10MB-8MJ90 | Hydraulic Adapter 10MB-8MJ90 |
| 4.6 | 1 | 83-00526 | Orifice Fitting 06FJ-06MJ x 0.047 |
| 5 | 1 | 100-00190 | Hose Kit CH980-HM |
| 5.1 | 1 | 110-00285 | Suction Hose -12 x 48" |
| 5.2 | 1 | 110-00286 | Hose Assembly 08-08FJX-08FJX90S-139" |
| 5.3 | 2 | 110-00287 | Hose Assembly 08-08FJX-08FJX90S-70" |
| 5.4 | 1 | 110-00288 | Hose Assembly 08-08FJX-08FJX90S-32" |
| 5.5 | 2 | 110-00289 | Hose Assembly 08-08FJX-08FJX90S-115" |
| 5.6 | 1 | 110-00290 | Hose Assembly 08-08FJX-08FJX90S-24" |
| 5.7 | 1 | 110-00291 | Hose Assembly 06-06FJX-06FJX90L-160" |
| 5.8 | 1 | 110-00292 | Hose Assembly 06-06FJX-06FJX90S-177" |
| 5.9 | 1 | 110-00293 | Hose Assembly 08-08FJX-08FJX90S-171" |
| 6 | 2 | 83-00504 | Char-Lynn Motor 101-1012 9.7 cu-in |
| 7 | 1 | 83-00505 | HalDEX Pump G1224C3A300N00 .388 cu-in |

UTL40-CH980-EC - Electric Clutch For Kohler 38HP

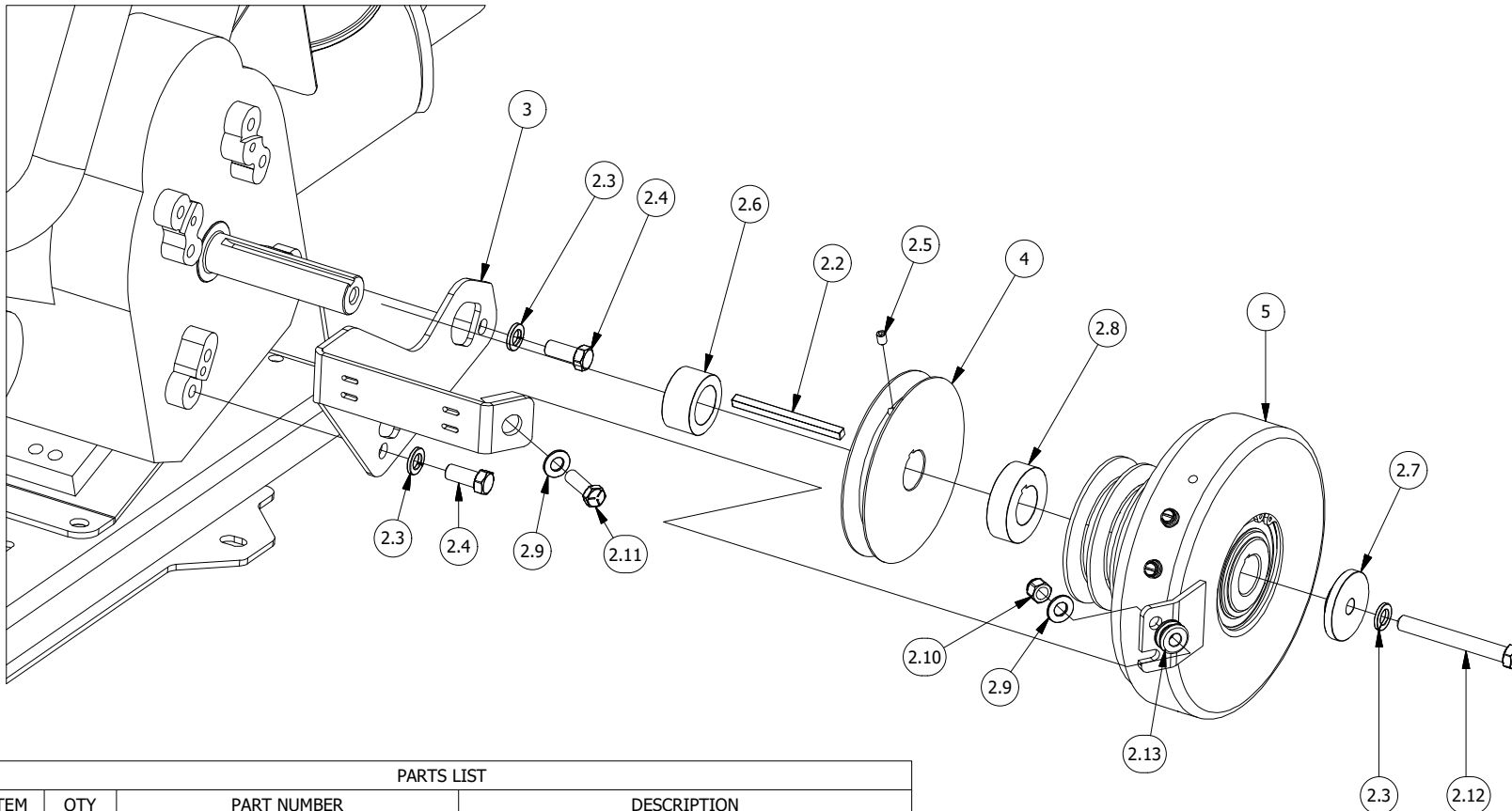


PARTS LIST

| ITEM | QTY | PART NUMBER | DESCRIPTION |
|------|-----|-------------|--|
| 1 | 1 | 100-00142 | Hawes Clutch Switch Mount Plate |
| 2 | 1 | 100-00143 | Electric Clutch Hardware Kit |
| 2.1 | 3 | 80-00004 | Split Lock Washer 1/4 Zinc Finish |
| 2.2 | 5 | 80-00006 | Flat Washer 1/4 SAE Zinc Finish |
| 2.3 | 1 | 80-00840 | Nylon Insert Lock Nut 1/4 UNC GR5 Zinc Finish |
| 2.4 | 1 | 80-00009 | Hex Cap Screw 1/4 UNC x 1 GR5 Zinc Plated |
| 2.5 | 1 | 110-00193 | Machine Key 1/4 x 3-1/2 |
| 2.6 | 3 | 80-00971 | Split Lock Washer 7/16 Zinc Finished |
| 2.7 | 2 | 80-00981 | Hex Cap Screw 7/16 UNC x 1 GR5 Zinc Plated |
| 2.8 | 1 | 80-01117 | Socket Set Screw 1/4 UNC x 3/8 Cup Point Nylon Patch |
| 2.9 | 1 | 80-01119 | Rubber Grommet 1/4 ID x 7/16 Hole Dia |
| 2.10 | 1 | 82-03070 | Crankshaft Extension 1-1/8 x 1.65 |
| 2.11 | 1 | 82-03071 | Crankshaft Spacer |
| 2.12 | 1 | 82-03072 | Electric Clutch Retainer |
| 2.13 | 1 | 80-01120 | Hex Cap Screw 7/16 UNF x 1-1/4 GR8 Zinc Finish |
| 2.14 | 3 | 80-01041 | Button Socket Cap Screw 1/4 UNC x 1-3/4 Zinc Plated |
| 3 | 1 | 110-00295 | Electric Clutch Stator Anchor |
| 4 | 1 | 110-00296 | Electric Clutch Switch Mount |
| 5 | 1 | 82-03009 | 1B50 x 1.125 Sheave |
| 6 | 1 | 82-03069 | Electric Clutch 3-A/B Belts 1-1/8 Bore |
| 7 | 1 | 82-03073 | Electric Clutch Wiring Harness |

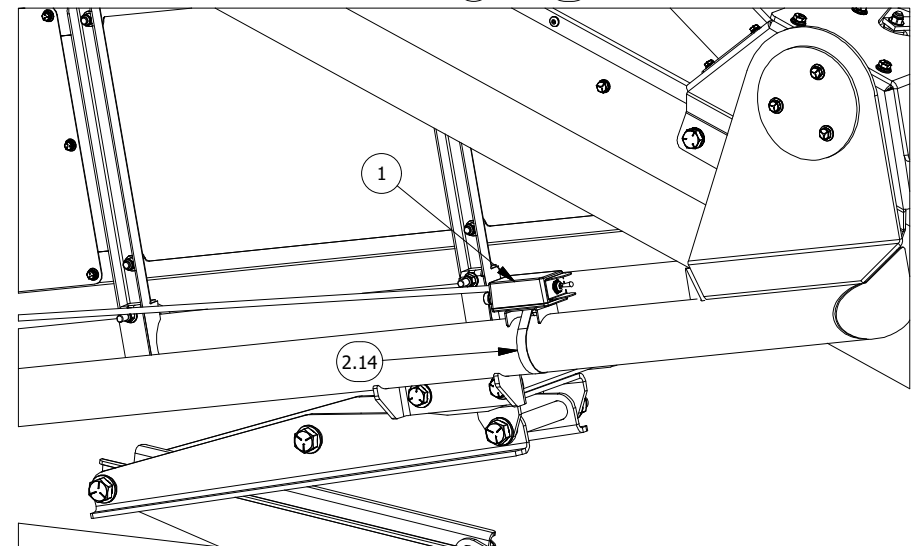


UTL40-CH980-EC2 - Electric Clutch Kit For Kohler 38HP REV2

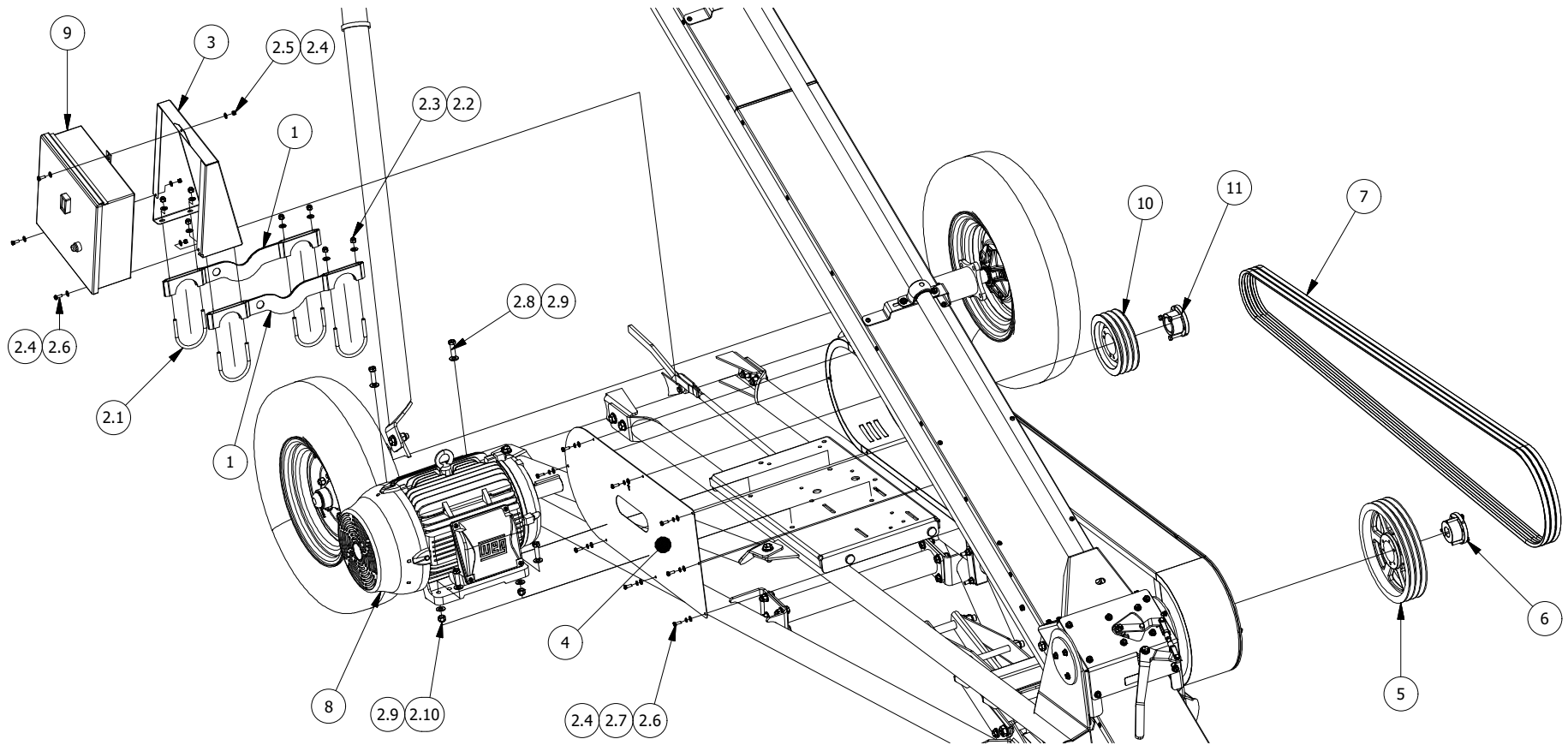


PARTS LIST

| ITEM | QTY | PART NUMBER | DESCRIPTION |
|------|-----|-------------|--|
| 1 | 1 | 100-00174 | Clutch Switch Box Assembly |
| 2 | 1 | 100-00175 | Electric Clutch Hardware Kit |
| 2.2 | 1 | 110-00193 | Machine Key 1/4 x 3-1/2 |
| 2.3 | 3 | 80-00971 | Split Lock Washer 7/16 Zinc Finished |
| 2.4 | 2 | 80-00981 | Hex Cap Screw 7/16 UNC x 1 GR5 Zinc Plated |
| 2.5 | 1 | 80-01117 | Socket Set Screw 1/4 UNC x 3/8 Cup Point Nylon Patch |
| 2.6 | 1 | 82-03071 | Crankshaft Spacer |
| 2.7 | 1 | 82-03091 | Clutch Retainer Washer |
| 2.8 | 1 | 82-03090 | Crankshaft Spacer Keyed |
| 2.9 | 2 | 80-00032 | Flat Washer 3/8 SAE Zinc Finish |
| 2.10 | 1 | 80-00018 | Nylon Insert Lock Nut 3/8 UNC GR5 Zinc Finish |
| 2.11 | 1 | 80-01026 | Hex Cap Screw 3/8 UNC x 1-1/4 GR5 Zinc Plated |
| 2.12 | 1 | 80-01178 | Hex Cap Screw 7/16 UNF x 3-1/2 GR8 Zinc Finish |
| 2.13 | 1 | 80-01179 | Grommet 3/8 ID x 5/8 Hole |
| 2.14 | 1 | 83-00535 | Screw Clamp #48 |
| 3 | 1 | 110-00342 | Electric Clutch Stator Anchor |
| 4 | 1 | 82-03009 | 1B50 x 1.125 Sheave |
| 5 | 1 | 82-03092 | Electric Clutch 3-A/B Belts 1-1/8 Bore |



UTL40-E575V - 30HP Electric Power Option 575V



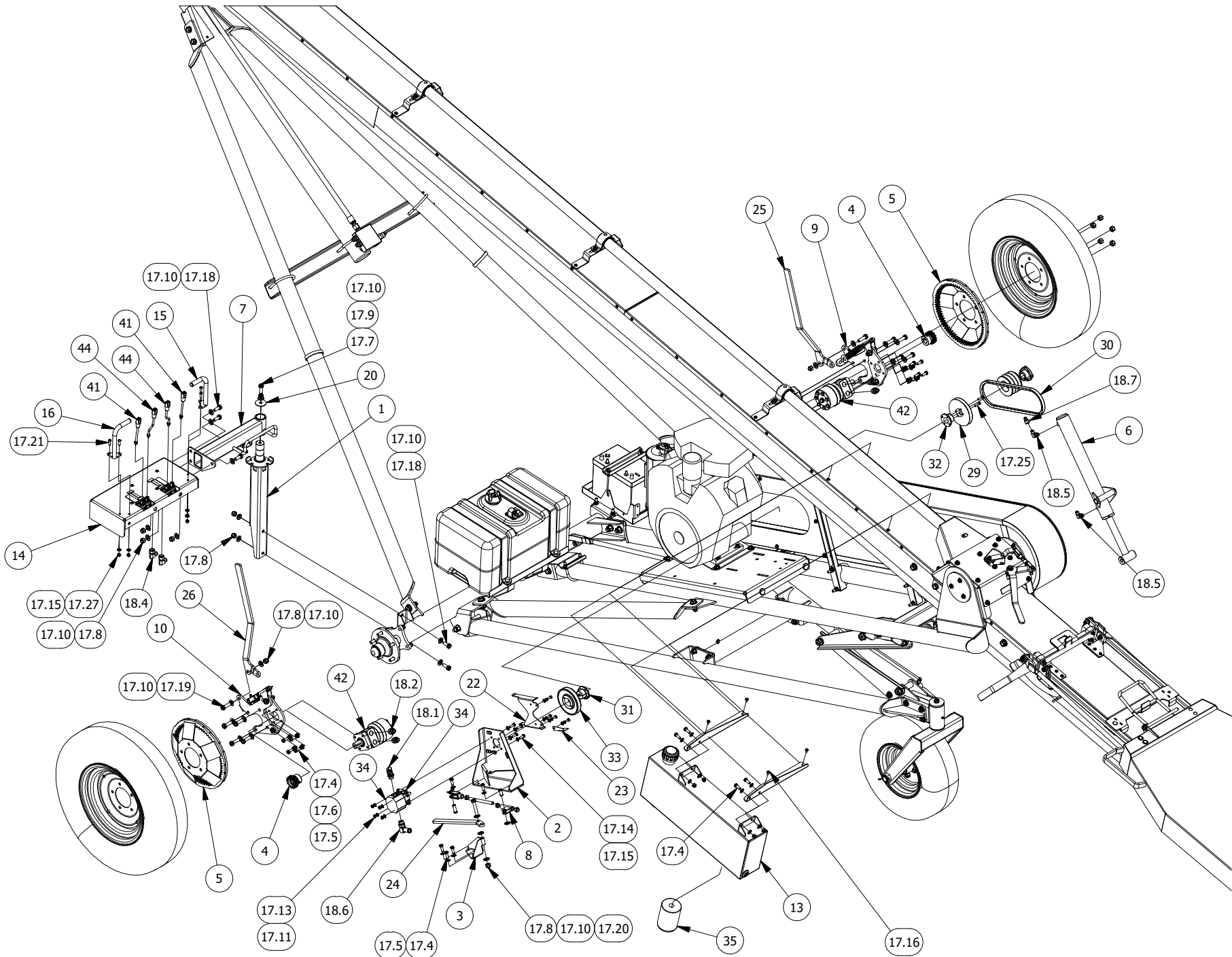
PARTS LIST

| ITEM | QTY | PART NUMBER | DESCRIPTION |
|------|-----|-------------|---|
| 1 | 2 | 100-00108 | Electrical Box Tube Bracket |
| 2 | 1 | 100-00109 | 30HP motor Hardware Kit |
| 2.1 | 4 | 80-01055 | U-Bolt 3/8 UNC x 3" Pipe Zinc Plated |
| 2.2 | 8 | 80-00032 | Flat Washer 3/8 SAE Zinc Finish |
| 2.3 | 8 | 80-00018 | Nylon Insert Lock Nut 3/8 UNC GR5 Zinc Finish |
| 2.4 | 14 | 80-00006 | Flat Washer 1/4 SAE Zinc Finish |
| 2.5 | 3 | 80-00840 | Nylon Insert Lock Nut 1/4 UNC GR5 Zinc Finish |
| 2.6 | 11 | 80-01024 | Hex Cap Screw 1/4 UNC x 3/4 GR5 Zinc Plated |
| 2.7 | 8 | 80-00004 | Split Lock Washer 1/4 Zinc Finish |
| 2.8 | 4 | 80-01030 | Hex Cap Screw 1/2 UNC x 1-3/4 GR5 Zinc Plated |
| 2.9 | 8 | 80-00063 | Flat Washer 1/2 SAE Zinc Finish |
| 2.10 | 4 | 80-00060 | Nylon Insert Lock Nut 1/2 UNC GR5 Zinc Finish |
| 2.11 | 1 | 110-00192 | Machine Key 1/4 SQR x 1-1/2 |

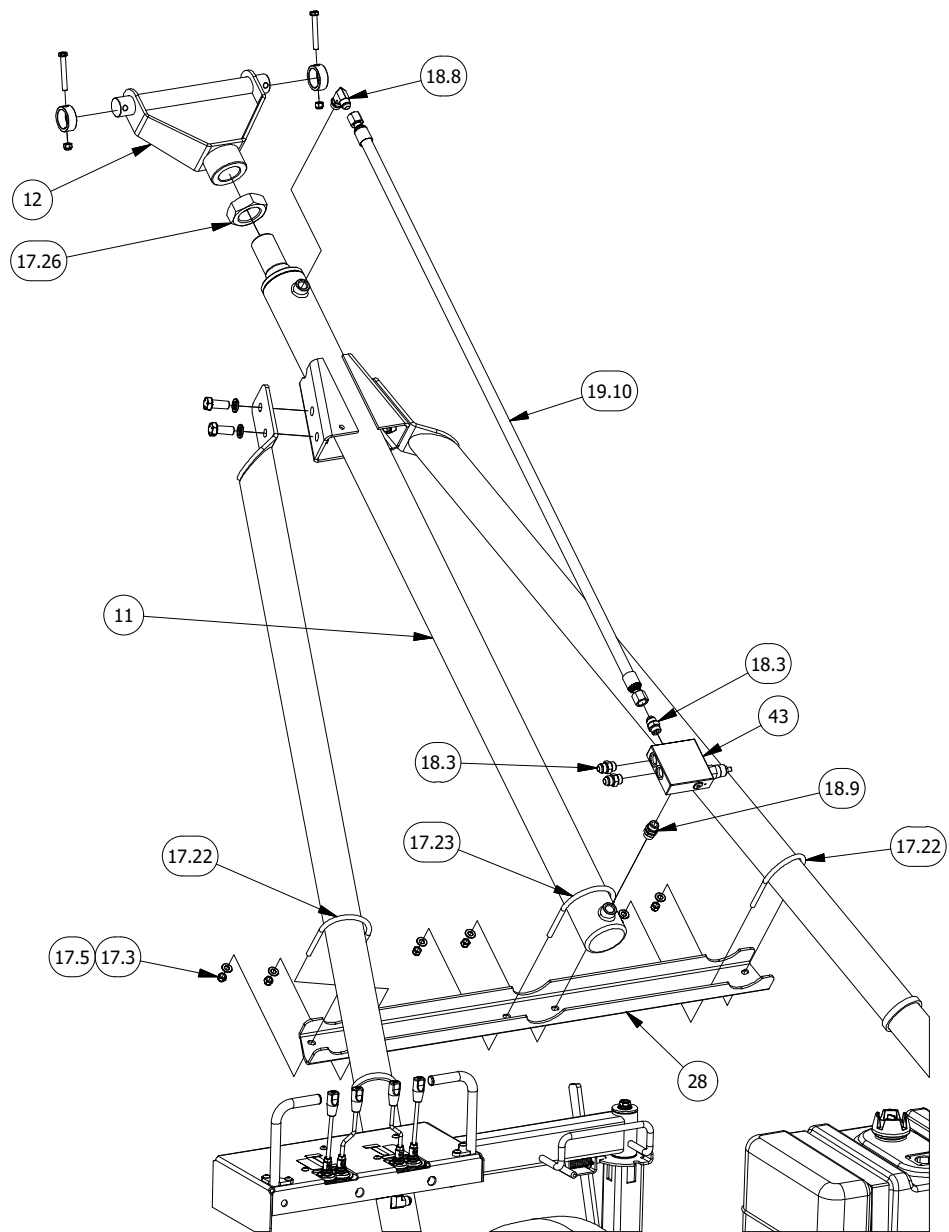
PARTS LIST

| ITEM | QTY | PART NUMBER | DESCRIPTION |
|------|-----|-------------|---------------------------------------|
| 3 | 1 | 110-00215 | Electrical Box Mount |
| 4 | 1 | 110-00216 | Guard Cover Plate 30HP Electric / PTO |
| 5 | 1 | 82-00009 | 12.4" 3 Groove Pulley |
| 6 | 1 | 82-00010 | SK 1-1/4 Bushing |
| 7 | 3 | 82-03049 | V-Belt B169 |
| 8 | 1 | 82-03054 | 30HP Motor 575V 1800RPM 286T TEFC |
| 9 | 1 | 82-03057 | Motor Starter 30HP 575V 3 Phase |
| 10 | 1 | 82-03082 | 3B74SK Sheave |
| 11 | 1 | 82-03083 | SK 1-7/8 Bushing |

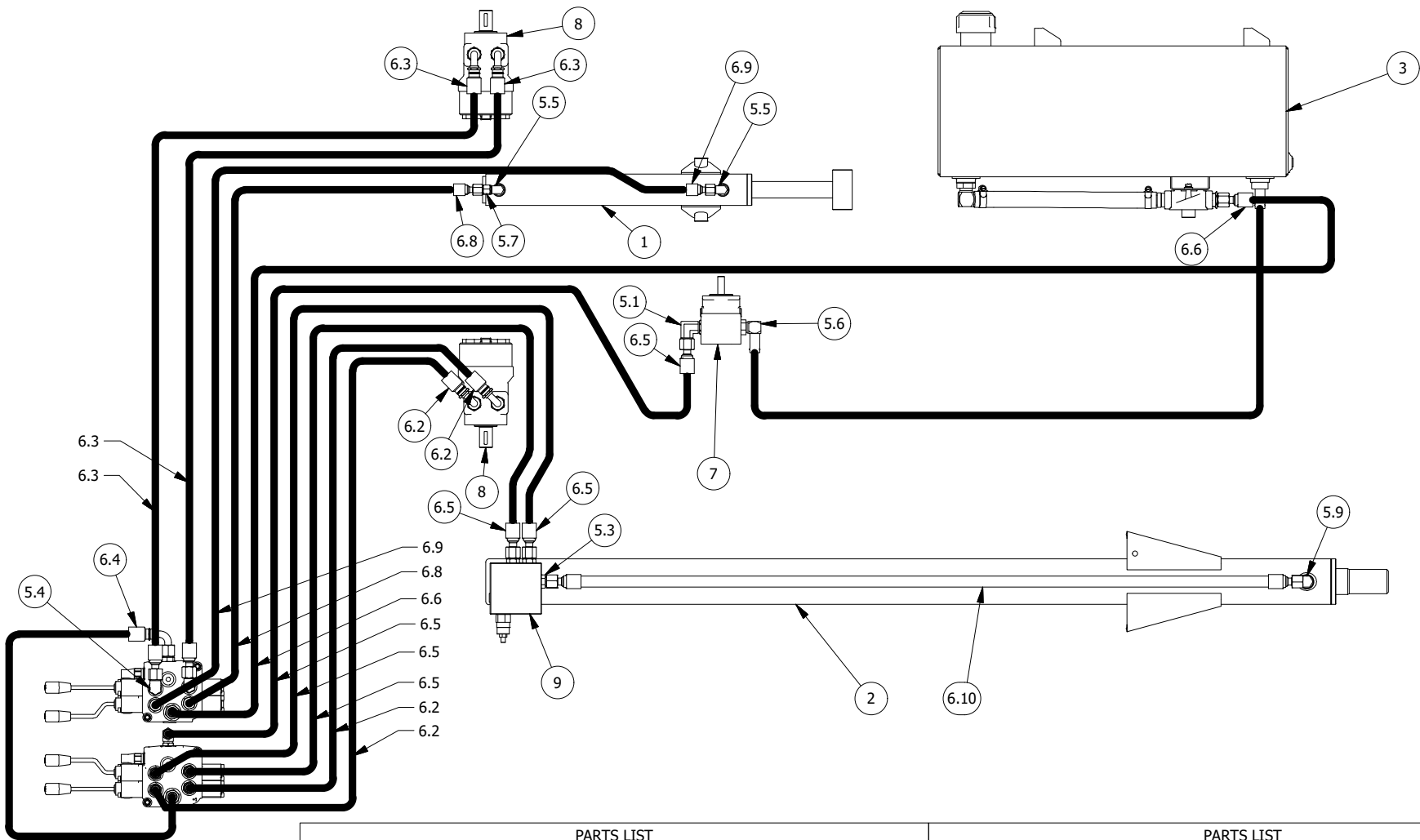
UTL40-CH980-HM2 - Hydraulic Mover Kit For Kohler 38hp



UTL40-CH980-HM2 - Hydraulic Lift Detail

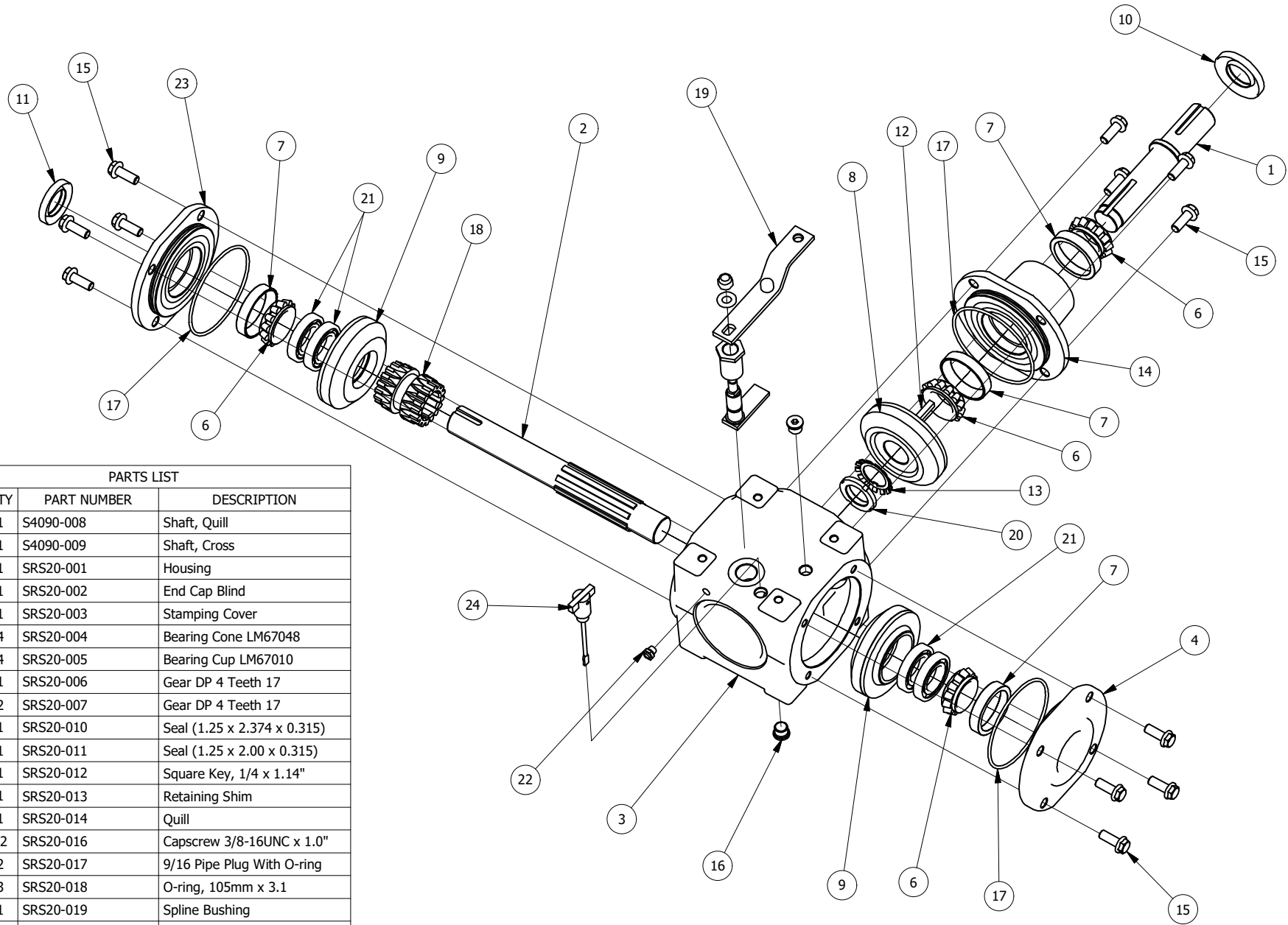


| PARTS LIST | | | | PARTS LIST | | | |
|------------|-----|-------------|---|------------|-----|-------------|---|
| ITEM | QTY | PART NUMBER | DESCRIPTION | ITEM | QTY | PART NUMBER | DESCRIPTION |
| 1 | 1 | 100-00123 | Console Stand | 18.2 | 4 | 83-00148 | 10MB-8MJ |
| 2 | 1 | 100-00125 | Hydraulic Pump Mount | 18.3 | 3 | 83-00333 | 8MB-8MJ |
| 3 | 1 | 100-00126 | Pump Tension Anchor | 18.4 | 2 | 83-00352 | 8MJ-8FJX90 |
| 4 | 2 | 100-00128 | Pinion Gear | 18.5 | 2 | 83-00421 | 6MB-6MJ90 |
| 5 | 2 | 100-00129 | Ring Gear | 18.6 | 1 | 83-00514 | Hydraulic Adapter 3/4 Hose Bead - 10 ORB 90 |
| 6 | 1 | 100-00132 | Hydraulic Front Wheel Cylinder | 18.7 | 1 | 83-00526 | Orifice Fitting 06FJ-06MJ x 0.047 |
| 7 | 1 | 100-00134 | Console Arm Assembly | 18.8 | 1 | 8MB-8MJ90 | Hydraulic Adapter 8MB-8MJ90 |
| 8 | 1 | 100-00135 | Pump Belt Tension Link | 18.9 | 1 | 83-00541 | Hydraulic Adapter 8 ORB - 8 ORB |
| 9 | 1 | 100-00136 | Wheel Drive Assembly Right | 19 | 1 | 100-00213 | Hose Kit CH980-HM2 |
| 10 | 1 | 100-00137 | Wheel Drive Assembly Left | 19.1 | 1 | 110-00285 | Suction Hose -12 x 48" |
| 11 | 1 | 100-00169 | Lift Cylinder | 19.2 | 2 | 110-00287 | Hose Assembly 08-08FJX-08FJX90S-70" |
| 12 | 1 | 100-00170 | Hydraulic Lift Yoke | 19.3 | 2 | 110-00289 | Hose Assembly 08-08FJX-08FJX90S-115" |
| 13 | 1 | 100-00181 | Hydraulic Tank Assembly | 19.4 | 1 | 110-00290 | Hose Assembly 08-08FJX-08FJX90S-24" |
| 14 | 1 | 100-00207 | Console Assembly HM2 | 19.5 | 3 | 110-00354 | Hose Assembly 08-08FJX-08FJX-142" |
| 15 | 1 | 100-00209 | Console Hand Rest Assembly | 19.6 | 1 | 110-00355 | Hose Assembly 08-08FJX-08FJX-171" |
| 16 | 1 | 100-00210 | Console Hand Rest Assembly | 19.7 | 1 | 110-00360 | Filter Return Line |
| 17 | 1 | 100-00211 | Hydraulic Drive Assembly Hardware Kit HM2 | 19.8 | 1 | 110-00408 | Hose Assembly 06-06FJX-06FJX-160" |
| 17.1 | 12 | 80-00004 | Split Lock Washer 1/4 Zinc Finish | 19.9 | 1 | 110-00409 | Hose Assembly 06-06FJX-06FJX-177" |
| 17.2 | 12 | 80-00006 | Flat Washer 1/4 SAE Zinc Finish | 19.10 | 1 | 110-00413 | Hose Assembly 08-08FJX-08FJX-54" |
| 17.3 | 15 | 80-00018 | Nylon Insert Lock Nut 3/8 UNC GR5 Zinc Finish | 20 | 1 | 110-00251 | Console Retaining Washer |
| 17.4 | 17 | 80-00020 | Hex Cap Screw 3/8 UNC x 1 GR5 Zinc Plated | 21 | 2 | 110-00257 | Hydraulic Tank Mount Arm |
| 17.5 | 32 | 80-00032 | Flat Washer 3/8 SAE Zinc Finish | 22 | 1 | 110-00260 | Pump Belt Guide |
| 17.6 | 8 | 80-00033 | Split Lock Washer 3/8 Zinc Finish | 23 | 1 | 110-00261 | Pump Belt End Guide |
| 17.7 | 1 | 80-00045 | Hex Cap Screw 1/2 UNC x 1-1/2 GR5 Zinc Plated | 24 | 1 | 110-00267 | Pump Tension Handle |
| 17.8 | 16 | 80-00060 | Nylon Insert Lock Nut 1/2 UNC GR5 Zinc Finish | 25 | 1 | 110-00279 | Right Wheel Drive Handle |
| 17.9 | 1 | 80-00062 | Split Lock Washer 1/2 Zinc Finish | 26 | 1 | 110-00280 | Left Wheel Drive Handle |
| 17.10 | 35 | 80-00063 | Flat Washer 1/2 SAE Zinc Finish | 27 | 1 | 110-00282 | Guard Cover Plate Kohler Hydraulic |
| 17.11 | 4 | 80-00131 | Split Lock Washer 5/16 Zinc Finish | 28 | 1 | 110-00352 | Lift Cylinder Brace Plate |
| 17.12 | 8 | 80-00138 | Hex Cap Screw 1/4 UNC x 1/2 GR5 Zinc Plated | 29 | 1 | 82-03008 | 1B50H Sheave |
| 17.13 | 4 | 80-00886 | Nut 5/16 UNC Zinc Plated | 30 | 1 | 82-03052 | V-Belt BX37 |
| 17.14 | 4 | 80-00930 | Hex Cap Screw 5/16 UNC x 1 GR5 Zinc Plated | 31 | 1 | 82-03067 | H 1/2 Bushing |
| 17.15 | 8 | 80-00982 | Flat Washer 5/16 SAE Zinc Finish | 32 | 1 | 82-03068 | H 1-1/8 Bushing |
| 17.16 | 4 | 80-01021 | Structural Rivet Klik-Lok SB86KL | 33 | 1 | 82-03096 | BK55H Sheave |
| 17.17 | 4 | 80-01024 | Hex Cap Screw 1/4 UNC x 3/4 GR5 Zinc Plated | 34 | 1 | 83-00505 | Haldex Pump G1224C3A300N00 .388 cu-in |
| 17.18 | 5 | 80-01029 | Hex Cap Screw 1/2 UNC x 1-1/4 GR5 Zinc Plated | 35 | 1 | 83-00511 | Hydraulic Filter Cartridge |
| 17.19 | 10 | 80-01030 | Hex Cap Screw 1/2 UNC x 1-3/4 GR5 Zinc Plated | 36 | 2 | 83-00512 | Hose Clamp #12 3/4 - 1-1/4 x 9/16 |
| 17.20 | 1 | 80-01031 | Hex Cap Screw 1/2 UNC x 2-3/4 GR5 Zinc Plated | 37 | 1 | 83-00523 | Seal Kit - Concentric GC Pump |
| 17.21 | 4 | 80-01043 | Button Socket Cap Screw 5/16 UNC x 1 Zinc Plated | 38 | 1 | 83-00524 | Seal Kit - Char-Lynn (101-) H series Motor |
| 17.22 | 2 | 80-01056 | U-Bolt 3/8 UNC x 3" Pipe Long Tangent Zinc Plated | 39 | 1 | 83-00525 | Seal Kit - BMPH Motor |
| 17.23 | 1 | 80-01057 | U-Bolt 3/8 UNC x 3-1/2" Pipe Zinc Plated | 40 | 1 | 83-00536 | Seal Kit - Brevini Motor |
| 17.24 | 1 | 80-01066 | Clevis Pin 1/2 x 1 Zinc Finish | 41 | 2 | 83-00537 | Salami Valve Handle |
| 17.25 | 2 | 80-01118 | Socket Cap Screw 1/4 UNC x 1 GR5 Zinc Finish | 42 | 2 | 83-00538 | Hydraulic Motor 160 cc/rev Geroller |
| 17.26 | 1 | 80-01168 | Hex Jam Nut 1-7/8-12UN | 43 | 1 | 83-00540 | Counterbalance Valve 1 Way Direct Mount |
| 17.27 | 4 | 80-01187 | Nylon Insert Lock Nut 5/16 UNC GR5 Zinc Finish | 44 | 2 | 83-00545 | Salami Valve Offset Handle |
| 18 | 1 | 100-00212 | Hydraulic Drive Fitting Kit HM2 | | | | |
| 18.1 | 1 | 10MB-8MJ90 | Hydraulic Adapter 10MB-8MJ90 | | | | |



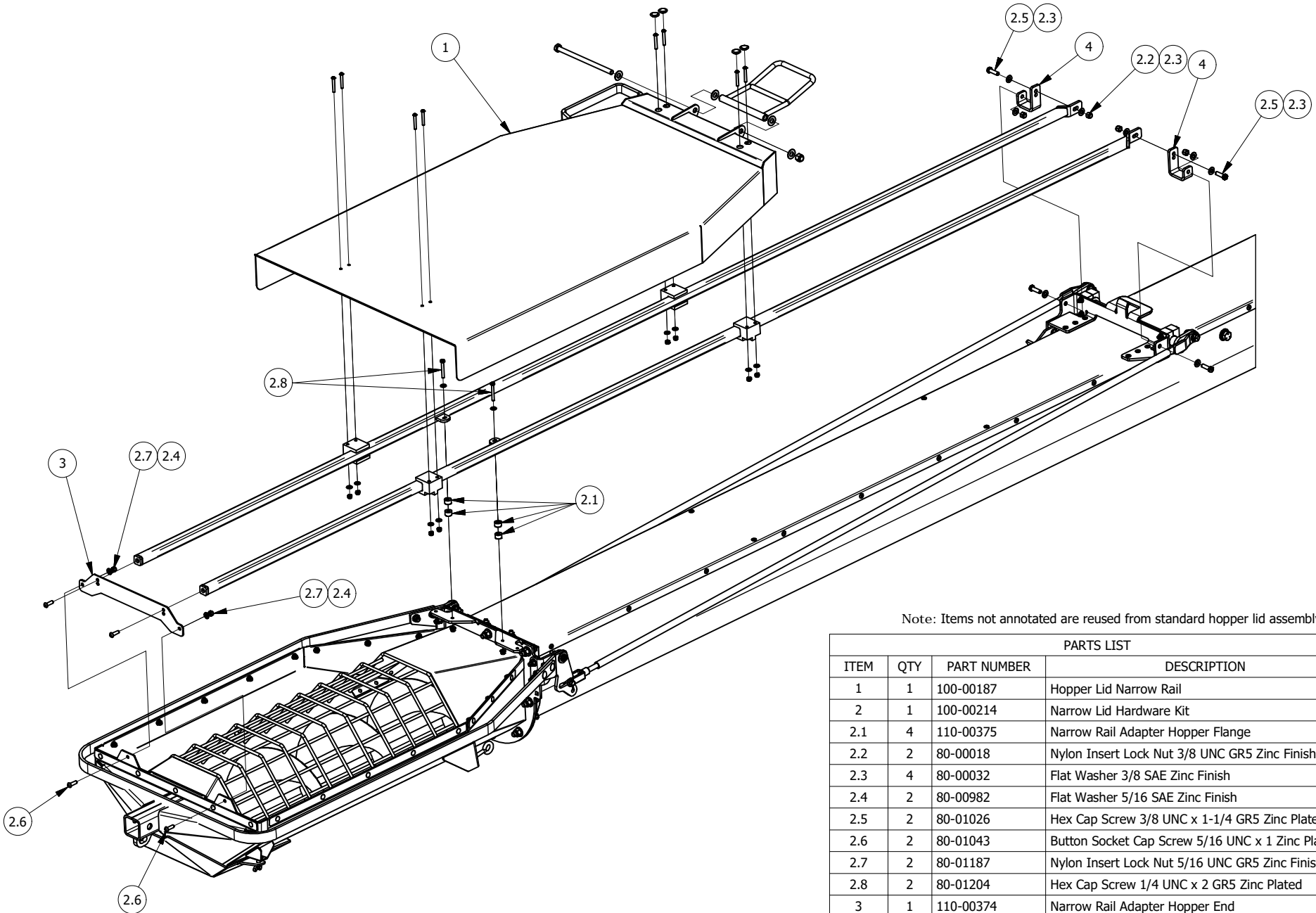
| PARTS LIST | | | | PARTS LIST | | | |
|------------|-----|-------------|---|------------|-----|-------------|---|
| ITEM | QTY | PART NUMBER | DESCRIPTION | ITEM | QTY | PART NUMBER | DESCRIPTION |
| 1 | 1 | 100-00132 | Hydraulic Front Wheel Cylinder | 6 | 1 | 100-00213 | Hose Kit CH980-HM2 |
| 2 | 1 | 100-00169 | Lift Cylinder | 6.1 | 1 | 110-00285 | Suction Hose -12 x 48" |
| 3 | 1 | 100-00181 | Hydraulic Tank Assembly | 6.2 | 2 | 110-00287 | Hose Assembly 08-08FJX-08FJX90S-70" |
| 4 | 1 | 100-00207 | Console Assembly HM2 | 6.3 | 2 | 110-00289 | Hose Assembly 08-08FJX-08FJX90S-115" |
| 5 | 1 | 100-00212 | Hydraulic Drive Fitting Kit HM2 | 6.4 | 1 | 110-00290 | Hose Assembly 08-08FJX-08FJX90S-24" |
| 5.1 | 1 | 10MB-8MJ90 | Hydraulic Adapter 10MB-8MJ90 | 6.5 | 3 | 110-00354 | Hose Assembly 08-08FJX-08FJX-142" |
| 5.2 | 4 | 83-00148 | 10MB-8MJ | 6.6 | 1 | 110-00355 | Hose Assembly 08-08FJX-08FJX-171" |
| 5.3 | 3 | 83-00333 | 8MB-8MJ | 6.7 | 1 | 110-00360 | Filter Return Line |
| 5.4 | 2 | 83-00352 | 8MJ-8FJX90 | 6.8 | 1 | 110-00408 | Hose Assembly 06-06FJX-06FJX-160" |
| 5.5 | 2 | 83-00421 | 6MB-6MJ90 | 6.9 | 1 | 110-00409 | Hose Assembly 06-06FJX-06FJX-177" |
| 5.6 | 1 | 83-00514 | Hydraulic Adapter 3/4 Hose Bead - 10 ORB 90 | 6.10 | 1 | 110-00413 | Hose Assembly 08-08FJX-08FJX-54" |
| 5.7 | 1 | 83-00526 | Orifice Fitting 06FJ-06MJ x 0.047 | 7 | 1 | 83-00505 | Haldex Pump G1224C3A300N00 .388 cu-in |
| 5.8 | 1 | 83-00541 | Hydraulic Adapter 8 ORB - 8 ORB | 8 | 2 | 83-00538 | Hydraulic Motor 160 cc/rev Geroller |
| 5.9 | 1 | 8MB-8MJ90 | Hydraulic Adapter 8MB-8MJ90 | 9 | 1 | 83-00540 | Counterbalance Valve 1 Way Direct Mount |

82-03015 - Bevel Reversing Gearbox



| PARTS LIST | | | |
|------------|-----|-------------|-----------------------------|
| ITEM | QTY | PART NUMBER | DESCRIPTION |
| 1 | 1 | S4090-008 | Shaft, Quill |
| 2 | 1 | S4090-009 | Shaft, Cross |
| 3 | 1 | SRS20-001 | Housing |
| 4 | 1 | SRS20-002 | End Cap Blind |
| 5 | 1 | SRS20-003 | Stamping Cover |
| 6 | 4 | SRS20-004 | Bearing Cone LM67048 |
| 7 | 4 | SRS20-005 | Bearing Cup LM67010 |
| 8 | 1 | SRS20-006 | Gear DP 4 Teeth 17 |
| 9 | 2 | SRS20-007 | Gear DP 4 Teeth 17 |
| 10 | 1 | SRS20-010 | Seal (1.25 x 2.374 x 0.315) |
| 11 | 1 | SRS20-011 | Seal (1.25 x 2.00 x 0.315) |
| 12 | 1 | SRS20-012 | Square Key, 1/4 x 1.14" |
| 13 | 1 | SRS20-013 | Retaining Shim |
| 14 | 1 | SRS20-014 | Quill |
| 15 | 12 | SRS20-016 | Capscrew 3/8-16UNC x 1.0" |
| 16 | 2 | SRS20-017 | 9/16 Pipe Plug With O-ring |
| 17 | 3 | SRS20-018 | O-ring, 105mm x 3.1 |
| 18 | 1 | SRS20-019 | Spline Bushing |
| 19 | 1 | SRS20-020 | Shifter Assembly |
| 20 | 1 | SRS20-021 | Locknut M30 x 1.5 |
| 21 | 4 | SRS20-022 | Bearing 16006 |
| 22 | 1 | SRS20-023 | 1/8NPT Relief Plug |
| 23 | 1 | SRS20-024 | End Cap |
| 24 | 1 | SRS20-025 | Dipstick |

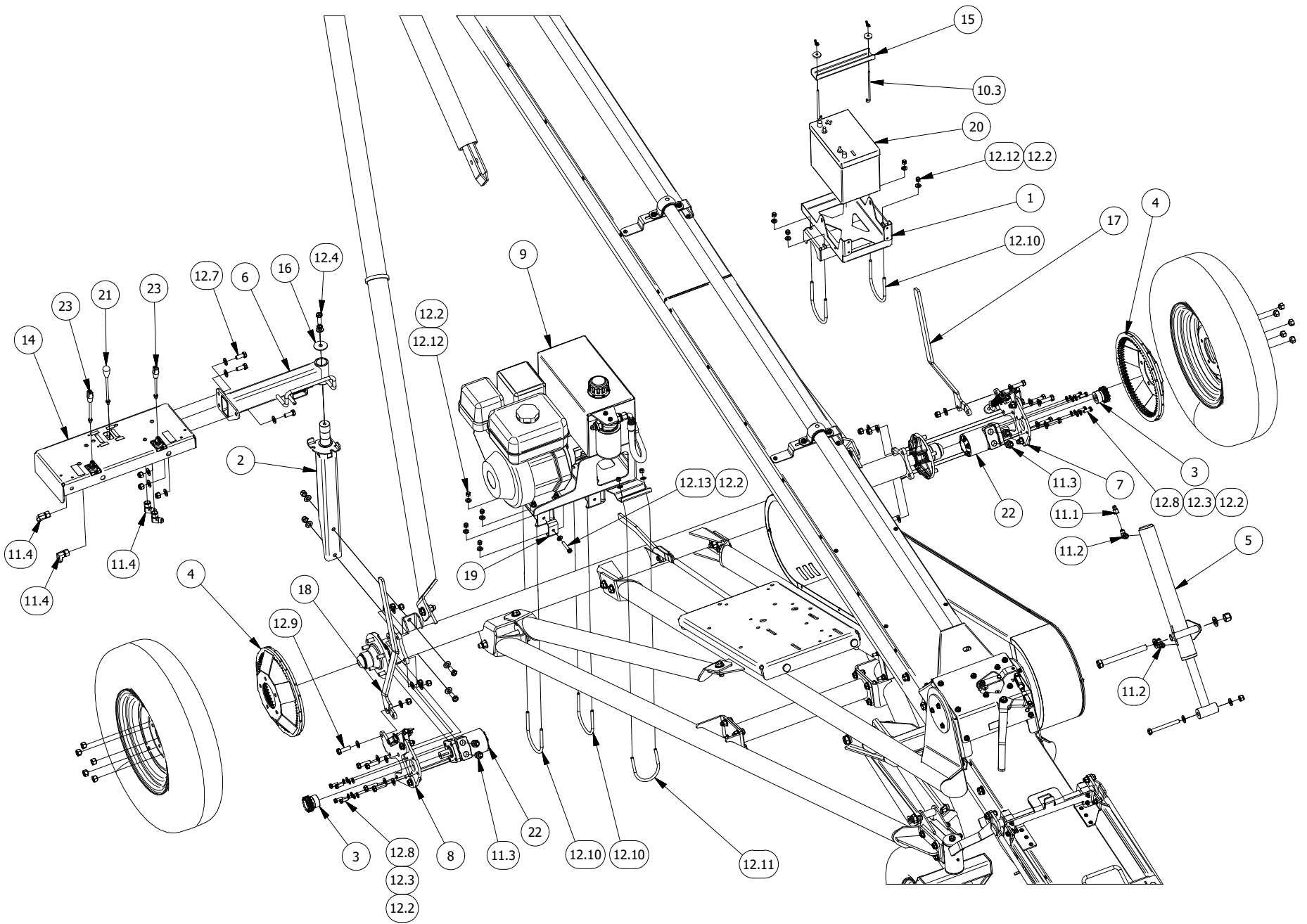
UTL40-NRO-LID - Narrow Hopper Rail Kit



Note: Items not annotated are reused from standard hopper lid assembly

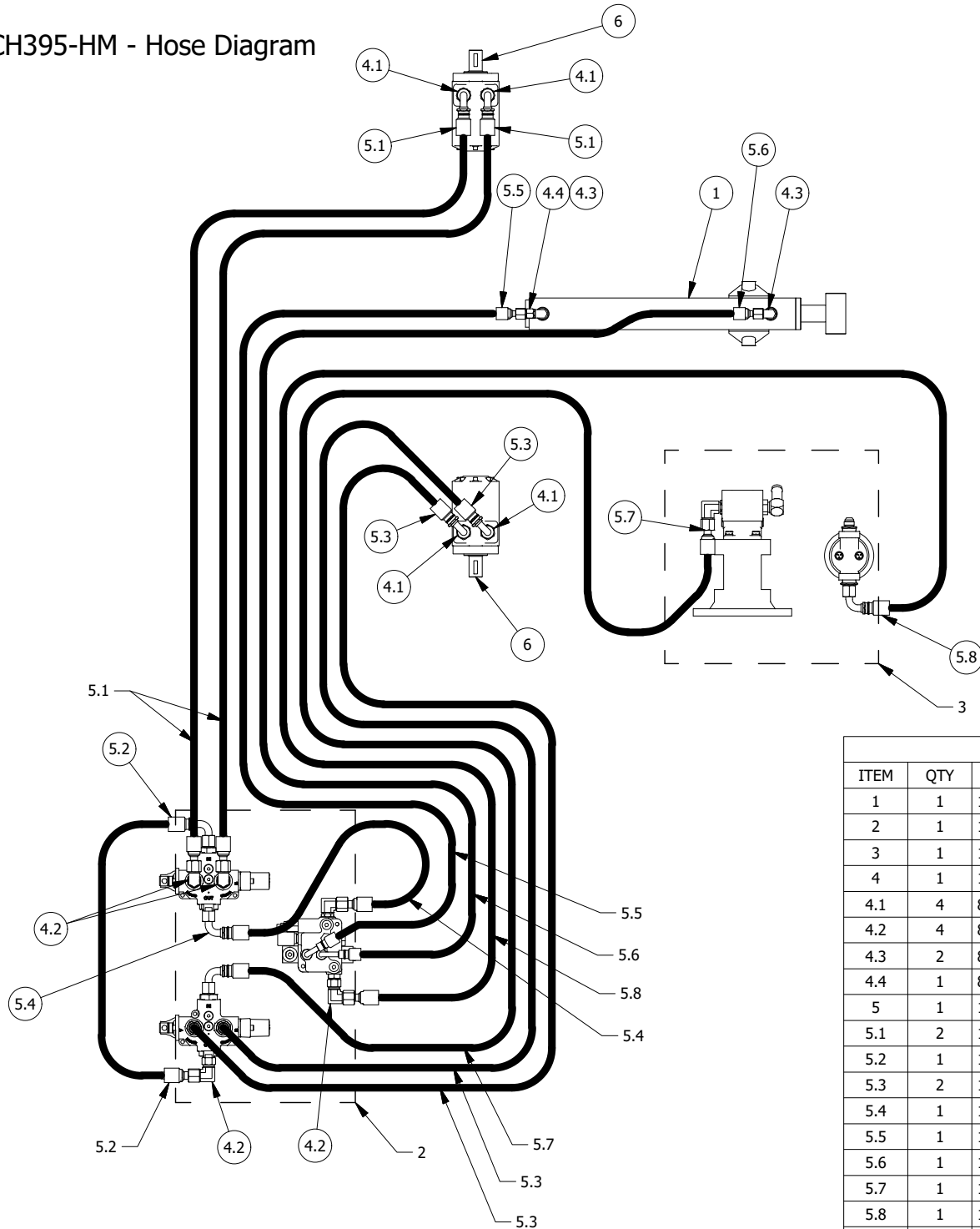
| PARTS LIST | | | |
|------------|-----|-------------|--|
| ITEM | QTY | PART NUMBER | DESCRIPTION |
| 1 | 1 | 100-00187 | Hopper Lid Narrow Rail |
| 2 | 1 | 100-00214 | Narrow Lid Hardware Kit |
| 2.1 | 4 | 110-00375 | Narrow Rail Adapter Hopper Flange |
| 2.2 | 2 | 80-00018 | Nylon Insert Lock Nut 3/8 UNC GR5 Zinc Finish |
| 2.3 | 4 | 80-00032 | Flat Washer 3/8 SAE Zinc Finish |
| 2.4 | 2 | 80-00982 | Flat Washer 5/16 SAE Zinc Finish |
| 2.5 | 2 | 80-01026 | Hex Cap Screw 3/8 UNC x 1-1/4 GR5 Zinc Plated |
| 2.6 | 2 | 80-01043 | Button Socket Cap Screw 5/16 UNC x 1 Zinc Plated |
| 2.7 | 2 | 80-01187 | Nylon Insert Lock Nut 5/16 UNC GR5 Zinc Finish |
| 2.8 | 2 | 80-01204 | Hex Cap Screw 1/4 UNC x 2 GR5 Zinc Plated |
| 3 | 1 | 110-00374 | Narrow Rail Adapter Hopper End |
| 4 | 2 | 110-00376 | Narrow Rail Adapter Upper Anchor |

UTL40-CH395-HM - Hydraulic Power Pack Mover Kit



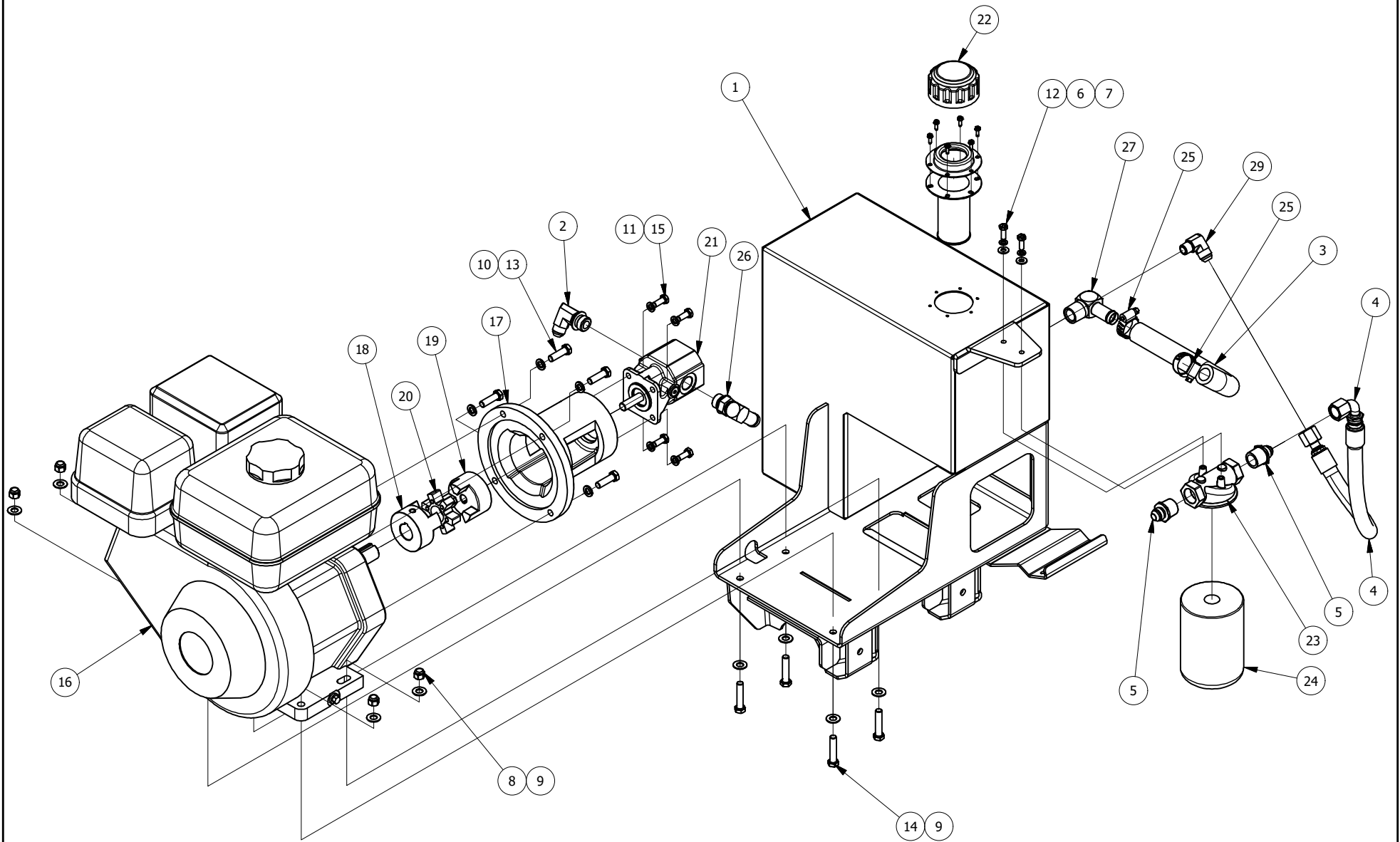
| PARTS LIST | | | | PARTS LIST | | | |
|------------|-----|-------------|---|------------|-----|-------------|------------------------------------|
| ITEM | QTY | PART NUMBER | DESCRIPTION | ITEM | QTY | PART NUMBER | DESCRIPTION |
| 1 | 1 | 100-00118 | Battery Mount | 19 | 1 | 110-00305 | Hose Clip |
| 2 | 1 | 100-00123 | Console Stand | 20 | 1 | 82-03102 | Battery Group 24 |
| 3 | 2 | 100-00128 | Pinion Gear | 21 | 1 | 83-00501 | Blb Valve Handle |
| 4 | 2 | 100-00129 | Ring Gear | 22 | 2 | 83-00504 | Char-Lynn Motor 101-1012 9.7 cu-in |
| 5 | 1 | 100-00132 | Hydraulic Front Wheel Cylinder | 23 | 2 | 83-00537 | Salami Valve Handle |
| 6 | 1 | 100-00134 | Console Arm Assembly | | | | |
| 7 | 1 | 100-00136 | Wheel Drive Assembly Right | | | | |
| 8 | 1 | 100-00137 | Wheel Drive Assembly Left | | | | |
| 9 | 1 | 100-00145 | Power Pack Assembly | | | | |
| 10 | 1 | 100-00146 | Power Pack Mounting Kit | | | | |
| 10.1 | 1 | 110-00310 | Battery Cable Positive | | | | |
| 10.2 | 1 | 110-00311 | Battery Cable Negative | | | | |
| 10.3 | 1 | 80-01089 | Battery Hold Down Bolt Pico 870-PR | | | | |
| 11 | 1 | 100-00147 | Hydraulic Drive Fitting Kit | | | | |
| 11.1 | 1 | 83-00526 | Orifice Fitting 06FJ-06MJ x 0.047 | | | | |
| 11.2 | 2 | 83-00421 | 6MB-6MJ90 | | | | |
| 11.3 | 4 | 83-00148 | 10MB-8MJ | | | | |
| 11.4 | 4 | 83-00352 | 8MJ-8FJX90 | | | | |
| 12 | 1 | 100-00148 | Hydraulic Drive Hardware Package | | | | |
| 12.1 | 31 | 80-00063 | Flat Washer 1/2 SAE Zinc Finish | | | | |
| 12.2 | 20 | 80-00032 | Flat Washer 3/8 SAE Zinc Finish | | | | |
| 12.3 | 8 | 80-00033 | Split Lock Washer 3/8 Zinc Finish | | | | |
| 12.4 | 1 | 80-00045 | Hex Cap Screw 1/2 UNC x 1-1/2 GR5 Zinc Plated | | | | |
| 12.5 | 1 | 80-00062 | Split Lock Washer 1/2 Zinc Finish | | | | |
| 12.6 | 15 | 80-00060 | Nylon Insert Lock Nut 1/2 UNC GR5 Zinc Finish | | | | |
| 12.7 | 5 | 80-01029 | Hex Cap Screw 1/2 UNC x 1-1/4 GR5 Zinc Plated | | | | |
| 12.8 | 8 | 80-00020 | Hex Cap Screw 3/8 UNC x 1 GR5 Zinc Plated | | | | |
| 12.9 | 10 | 80-01030 | Hex Cap Screw 1/2 UNC x 1-3/4 GR5 Zinc Plated | | | | |
| 12.10 | 4 | 80-01057 | U-Bolt 3/8 UNC x 3-1/2" Pipe Zinc Plated | | | | |
| 12.11 | 1 | 80-01055 | U-Bolt 3/8 UNC x 3" Pipe Zinc Plated | | | | |
| 12.12 | 11 | 80-00018 | Nylon Insert Lock Nut 3/8 UNC GR5 Zinc Finish | | | | |
| 12.13 | 1 | 80-00023 | Hex Cap Screw 3/8 UNC x 2 GR5 Zinc Plated | | | | |
| 13 | 1 | 100-00191 | Hose Kit CH395-HM | | | | |
| 13.1 | 2 | 110-00287 | Hose Assembly 08-08FJX-08FJX90S-70" | | | | |
| 13.2 | 1 | 110-00288 | Hose Assembly 08-08FJX-08FJX90S-32" | | | | |
| 13.3 | 2 | 110-00289 | Hose Assembly 08-08FJX-08FJX90S-115" | | | | |
| 13.4 | 1 | 110-00290 | Hose Assembly 08-08FJX-08FJX90S-24" | | | | |
| 13.5 | 1 | 110-00291 | Hose Assembly 06-06FJX-06FJX90L-160" | | | | |
| 13.6 | 1 | 110-00292 | Hose Assembly 06-06FJX-06FJX90S-177" | | | | |
| 13.7 | 1 | 110-00308 | Hose Assembly 08-08FJX-08FJX90S-94" | | | | |
| 13.8 | 1 | 110-00309 | Hose Assembly 08-08FJX-08FJX90S-87" | | | | |
| 14 | 1 | 100-00193 | Console Assembly | | | | |
| 15 | 1 | 110-00237 | Battery Mount Strap | | | | |
| 16 | 1 | 110-00251 | Console Retaining Washer | | | | |
| 17 | 1 | 110-00279 | Right Wheel Drive Handle | | | | |
| 18 | 1 | 110-00280 | Left Wheel Drive Handle | | | | |

UTL40-CH395-HM - Hose Diagram



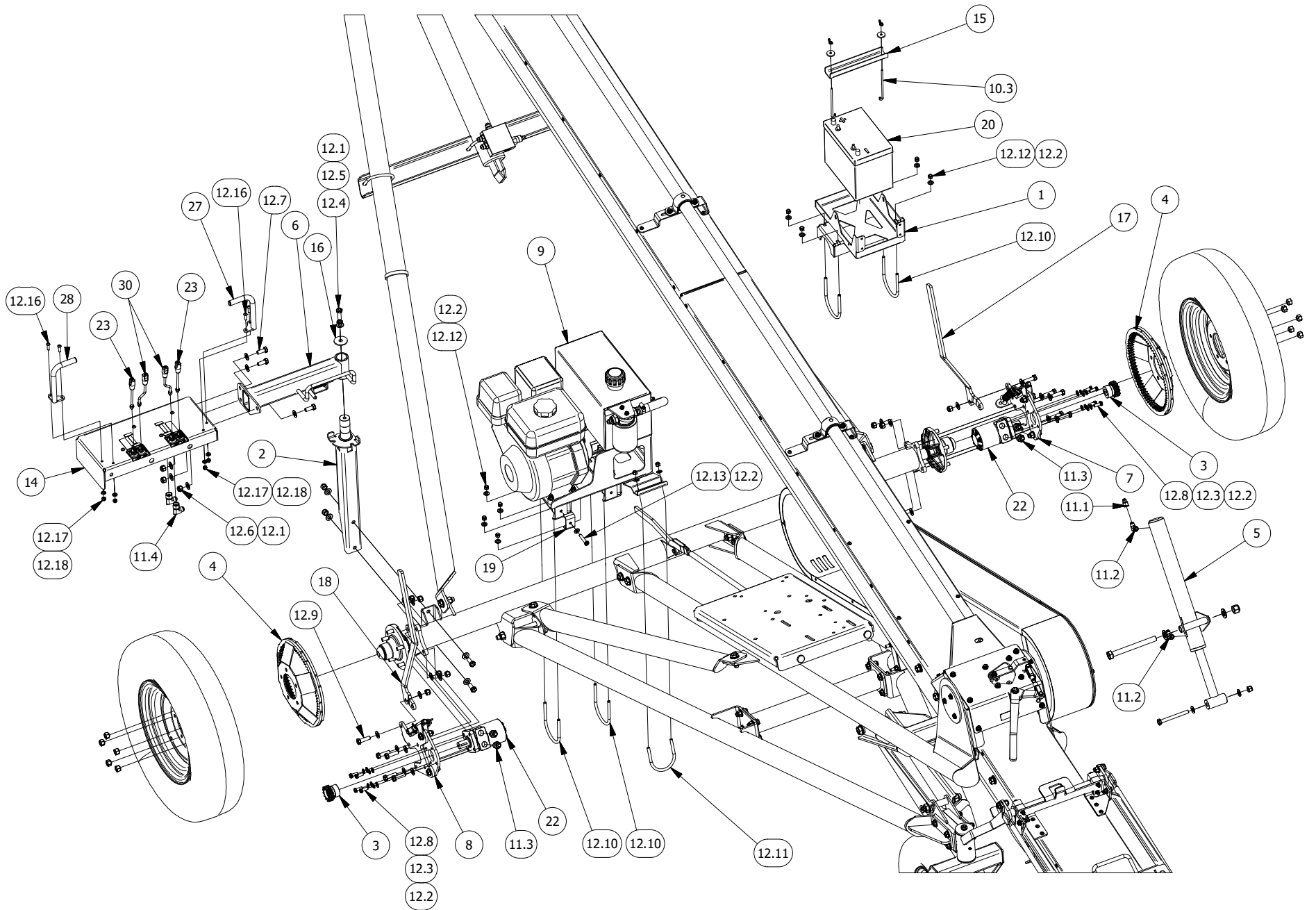
| PARTS LIST | | | |
|------------|-----|-------------|--------------------------------------|
| ITEM | QTY | PART NUMBER | DESCRIPTION |
| 1 | 1 | 100-00132 | Hydraulic Front Wheel Cylinder |
| 2 | 1 | 100-00133 | Console Assembly |
| 3 | 1 | 100-00145 | Power Pack Assembly |
| 4 | 1 | 100-00147 | Hydraulic Drive Fitting Kit |
| 4.1 | 4 | 83-00148 | 10MB-8MJ |
| 4.2 | 4 | 83-00352 | 8MJ-8FJX90 |
| 4.3 | 2 | 83-00421 | 6MB-6MJ90 |
| 4.4 | 1 | 83-00526 | Orifice Fitting 06FJ-06MJ x 0.047 |
| 5 | 1 | 100-00191 | Hose Kit CH395-HM |
| 5.1 | 2 | 110-00287 | Hose Assembly 08-08FJX-08FJX90S-70" |
| 5.2 | 1 | 110-00288 | Hose Assembly 08-08FJX-08FJX90S-32" |
| 5.3 | 2 | 110-00289 | Hose Assembly 08-08FJX-08FJX90S-115" |
| 5.4 | 1 | 110-00290 | Hose Assembly 08-08FJX-08FJX90S-24" |
| 5.5 | 1 | 110-00291 | Hose Assembly 06-06FJX-06FJX90L-160" |
| 5.6 | 1 | 110-00292 | Hose Assembly 06-06FJX-06FJX90S-177" |
| 5.7 | 1 | 110-00308 | Hose Assembly 08-08FJX-08FJX90S-94" |
| 5.8 | 1 | 110-00309 | Hose Assembly 08-08FJX-08FJX90S-87" |
| 6 | 2 | 83-00504 | Char-Lynn Motor 101-1012 9.7 cu-in |

100-00145 - Power Pack Assembly

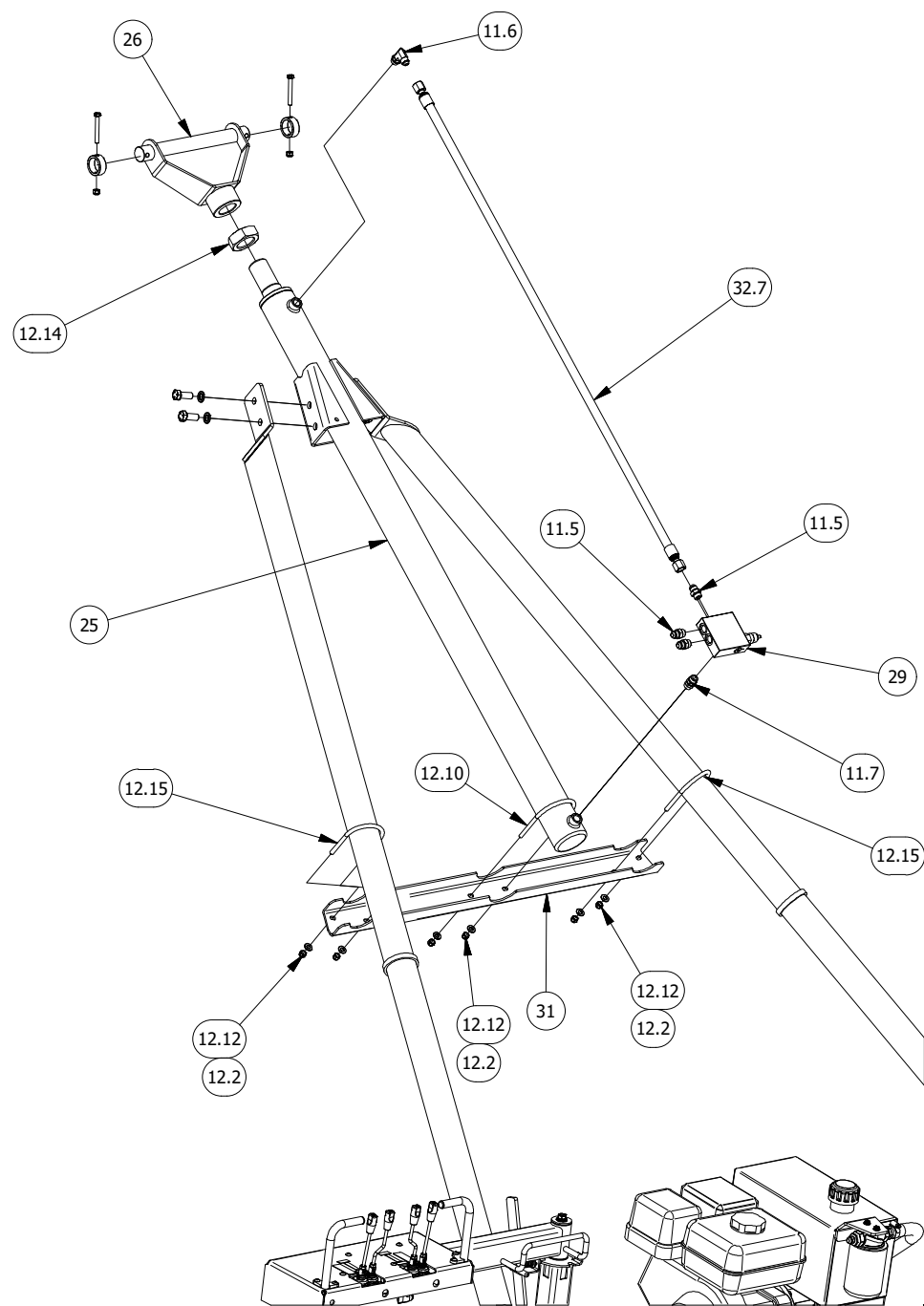


| PARTS LIST | | | |
|------------|-----|-------------|--|
| ITEM | QTY | PART NUMBER | DESCRIPTION |
| 1 | 1 | 100-00144 | Power Pack Chassis |
| 2 | 1 | 10MB-8MJ90 | Hydraulic Adapter 10MB-8MJ90 |
| 3 | 1 | 110-00306 | Hose Assembly 12-Suction-13-1/4" |
| 4 | 1 | 110-00307 | Hose Assembly 08-8FJX-8FJX90S-17" |
| 5 | 2 | 12MP-8MJ | Hydraulic Adapter 12MP-8MJ |
| 6 | 2 | 80-00004 | Split Lock Washer 1/4 Zinc Finish |
| 7 | 2 | 80-00006 | Flat Washer 1/4 SAE Zinc Finish |
| 8 | 4 | 80-00018 | Nylon Insert Lock Nut 3/8 UNC GR5 Zinc Finish |
| 9 | 8 | 80-00032 | Flat Washer 3/8 SAE Zinc Finish |
| 10 | 4 | 80-00033 | Split Lock Washer 3/8 Zinc Finish |
| 11 | 4 | 80-00131 | Split Lock Washer 5/16 Zinc Finish |
| 12 | 2 | 80-01024 | Hex Cap Screw 1/4 UNC x 3/4 GR5 Zinc Plated |
| 13 | 4 | 80-01026 | Hex Cap Screw 3/8 UNC x 1-1/4 GR5 Zinc Plated |
| 14 | 4 | 80-01027 | Hex Cap Screw 3/8 UNC x 1-3/4 GR5 Zinc Plated |
| 15 | 4 | 80-01143 | Hex Cap Screw 5/16 UNF x 3/4 GR5 Zinc Plated |
| 16 | 1 | 82-03076 | Kohler CH395 Engine |
| 17 | 1 | 82-03077 | SAE 4 Bolt Pump Bellhousing |
| 18 | 1 | 82-03078 | L099 Jaw Coupling 1" Bore |
| 19 | 1 | 82-03079 | L099 Jaw Coupling 1/2" Bore |
| 20 | 1 | 82-03080 | L099 Jaw Coupling Spider NBR Open Center |
| 21 | 1 | 83-00505 | Haldex Pump G1224C3A300N00 .388 cu-in |
| 22 | 1 | 83-00508 | Hydro-craft Filler / Breather |
| 23 | 1 | 83-00510 | Spin On Filter Head 3/4 NPT |
| 24 | 1 | 83-00511 | Hydraulic Filter Cartridge |
| 25 | 2 | 83-00512 | Hose Clamp #12 3/4 - 1-1/4 x 9/16 |
| 26 | 1 | 83-00514 | Hydraulic Adapter 3/4 Hose Bead - 10 ORB 90 |
| 27 | 1 | 83-00518 | Hydraulic Adapter 3/4 Hose Bead - 3/4 NPT 90 |
| 28 | 1 | 83-00521 | Drain Plug 1/2 NPT |
| 29 | 1 | 8MP-8MJ90 | Hydraulic Adapter 1/2 NPT Male - 8 JIC Male - 90 |

UTL40-CH395-HM2 - Hydraulic Power Pack Mover Kit

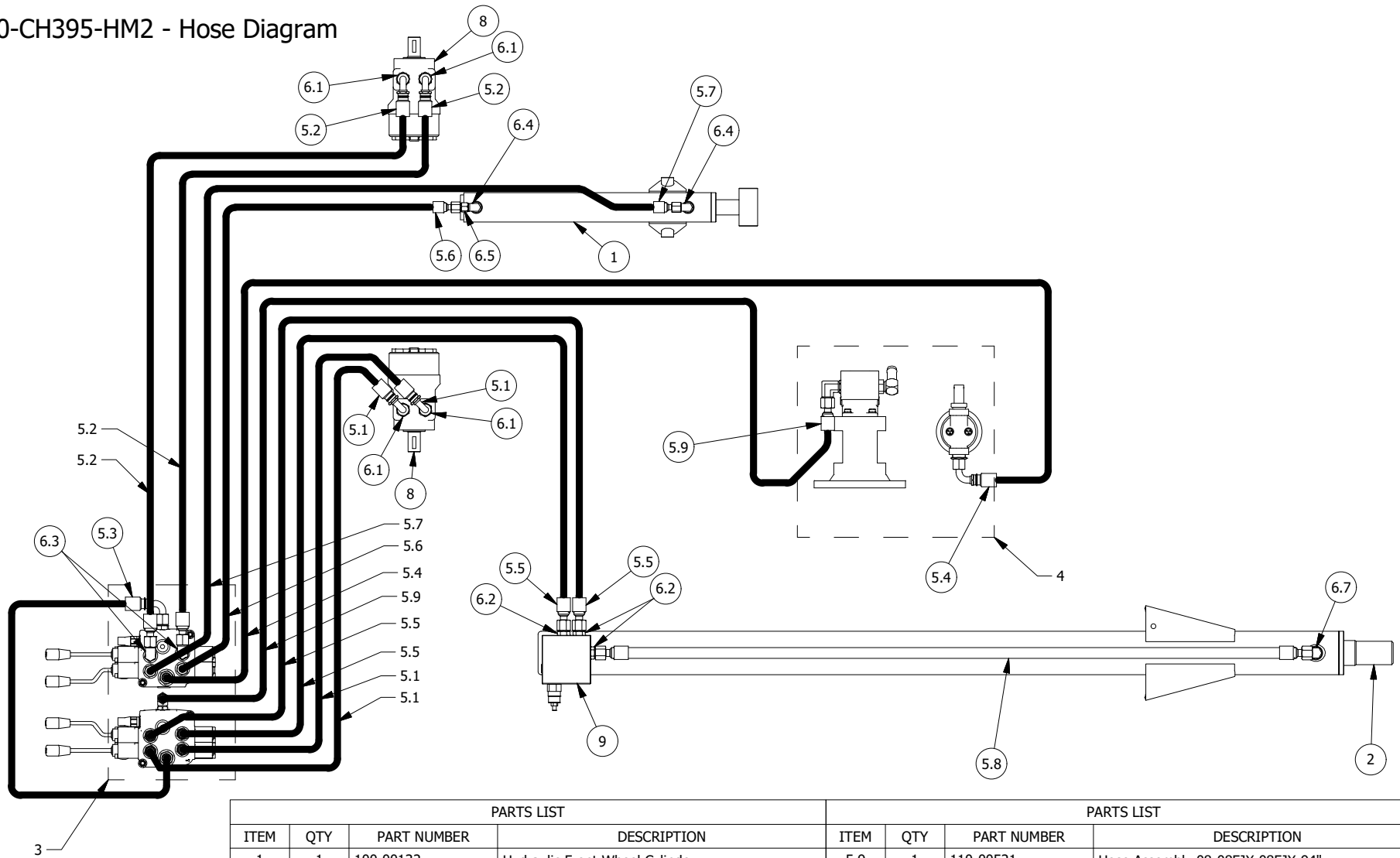


UTL40-CH395-HM2 - Hydraulic Lift Detail



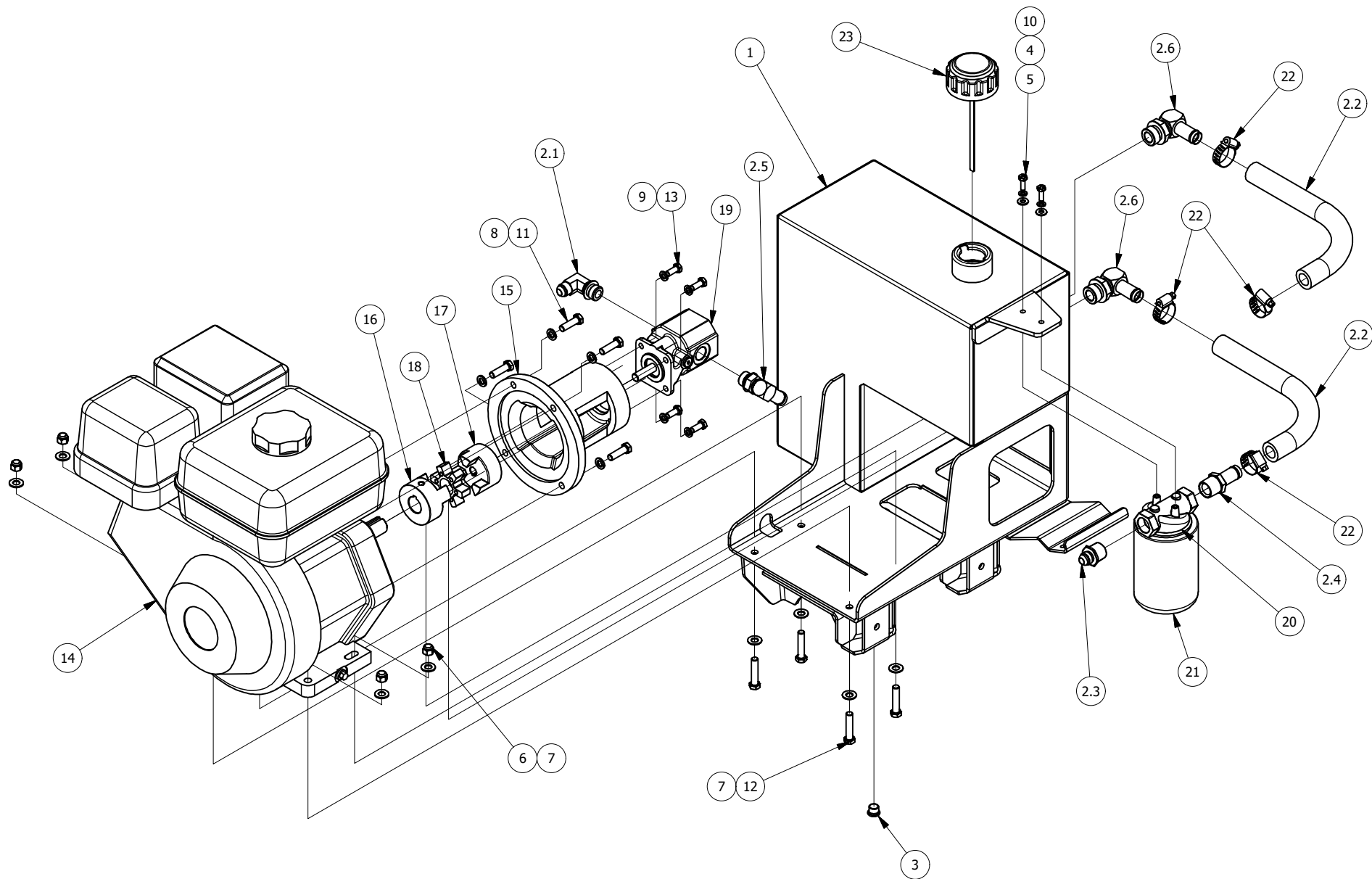
| PARTS LIST | | | | PARTS LIST | | | |
|------------|-----|-------------|---|------------|-----|-------------|---|
| ITEM | QTY | PART NUMBER | DESCRIPTION | ITEM | QTY | PART NUMBER | DESCRIPTION |
| 1 | 1 | 100-00118 | Battery Mount | 19 | 1 | 110-00305 | Hose Clip |
| 2 | 1 | 100-00123 | Console Stand | 20 | 1 | 82-03102 | Battery Group 24 |
| 3 | 2 | 100-00128 | Pinion Gear | 22 | 2 | 83-00504 | Char-Lynn Motor 101-1012 9.7 cu-in |
| 4 | 2 | 100-00129 | Ring Gear | 23 | 2 | 83-00537 | Salami Valve Handle |
| 5 | 1 | 100-00132 | Hydraulic Front Wheel Cylinder | 25 | 1 | 100-00169 | Lift Cylinder |
| 6 | 1 | 100-00134 | Console Arm Assembly | 26 | 1 | 100-00170 | Hydraulic Lift Yoke |
| 7 | 1 | 100-00136 | Wheel Drive Assembly Right | 27 | 1 | 100-00209 | Console Hand Rest Assembly |
| 8 | 1 | 100-00137 | Wheel Drive Assembly Left | 28 | 1 | 100-00210 | Console Hand Rest Assembly |
| 9 | 1 | 100-00224 | Power Pack Assembly | 29 | 1 | 83-00540 | Counterbalance Valve 1 Way Direct Mount |
| 10 | 1 | 100-00146 | Power Pack Mounting Kit | 30 | 2 | 83-00545 | Salami Valve Offset Handle |
| 10.1 | 1 | 110-00310 | Battery Cable Positive | 31 | 1 | 110-00352 | Lift Cylinder Brace Plate |
| 10.2 | 1 | 110-00311 | Battery Cable Negative | 32 | 1 | 100-00225 | Hose Kit CH395-HM2 |
| 10.3 | 1 | 80-01089 | Battery Hold Down Bolt Pico 870-PR | 32.1 | 2 | 110-00287 | Hose Assembly 08-08FJX-08FJX90S-70" |
| 11 | 1 | 100-00251 | Hydraulic Drive Fitting Kit HM2 - CH395 | 32.2 | 2 | 110-00289 | Hose Assembly 08-08FJX-08FJX90S-115" |
| 11.1 | 1 | 83-00526 | Orifice Fitting 06FJ-06MJ x 0.047 | 32.3 | 1 | 110-00290 | Hose Assembly 08-08FJX-08FJX90S-24" |
| 11.2 | 2 | 83-00421 | 6MB-6MJ90 | 32.4 | 2 | 110-00354 | Hose Assembly 08-08FJX-08FJX-142" |
| 11.3 | 4 | 83-00148 | 10MB-8MJ | 32.5 | 1 | 110-00408 | Hose Assembly 06-06FJX-06FJX-160" |
| 11.4 | 2 | 83-00352 | 8MJ-8FJX90 | 32.6 | 1 | 110-00409 | Hose Assembly 06-06FJX-06FJX-177" |
| 11.5 | 3 | 83-00333 | 8MB-8MJ | 32.7 | 1 | 110-00413 | Hose Assembly 08-08FJX-08FJX-54" |
| 11.6 | 1 | 8MB-8MJ90 | Hydraulic Adapter 8MB-8MJ90 | 32.8 | 1 | 110-00521 | Hose Assembly 08-08FJX-08FJX-94" |
| 11.7 | 1 | 83-00541 | Hydraulic Adapter 8 ORB - 8 ORB | 32.9 | 1 | 110-00309 | Hose Assembly 08-08FJX-08FJX90S-87" |
| 12 | 1 | 100-00252 | Hydraulic Drive Hardware Package - CH395 | | | | |
| 12.1 | 31 | 80-00063 | Flat Washer 1/2 SAE Zinc Finish | | | | |
| 12.2 | 26 | 80-00032 | Flat Washer 3/8 SAE Zinc Finish | | | | |
| 12.3 | 8 | 80-00033 | Split Lock Washer 3/8 Zinc Finish | | | | |
| 12.4 | 1 | 80-00045 | Hex Cap Screw 1/2 UNC x 1-1/2 GR5 Zinc Plated | | | | |
| 12.5 | 1 | 80-00062 | Split Lock Washer 1/2 Zinc Finish | | | | |
| 12.6 | 15 | 80-00060 | Nylon Insert Lock Nut 1/2 UNC GR5 Zinc Finish | | | | |
| 12.7 | 5 | 80-01029 | Hex Cap Screw 1/2 UNC x 1-1/4 GR5 Zinc Plated | | | | |
| 12.8 | 8 | 80-00020 | Hex Cap Screw 3/8 UNC x 1 GR5 Zinc Plated | | | | |
| 12.9 | 10 | 80-01030 | Hex Cap Screw 1/2 UNC x 1-3/4 GR5 Zinc Plated | | | | |
| 12.10 | 5 | 80-01057 | U-Bolt 3/8 UNC x 3-1/2" Pipe Zinc Plated | | | | |
| 12.11 | 1 | 80-01055 | U-Bolt 3/8 UNC x 3" Pipe Zinc Plated | | | | |
| 12.12 | 17 | 80-00018 | Nylon Insert Lock Nut 3/8 UNC GR5 Zinc Finish | | | | |
| 12.13 | 1 | 80-00023 | Hex Cap Screw 3/8 UNC x 2 GR5 Zinc Plated | | | | |
| 12.14 | 1 | 80-01168 | Hex Jam Nut 1-7/8-12UN | | | | |
| 12.15 | 2 | 80-01056 | U-Bolt 3/8 UNC x 3" Pipe Long Tangent Zinc Plated | | | | |
| 12.16 | 4 | 80-01043 | Button Socket Cap Screw 5/16 UNC x 1 Zinc Plated | | | | |
| 12.17 | 4 | 80-01187 | Nylon Insert Lock Nut 5/16 UNC GR5 Zinc Finish | | | | |
| 12.18 | 4 | 80-00982 | Flat Washer 5/16 SAE Zinc Finish | | | | |
| 14 | 1 | 100-00207 | Console Assembly HM2 | | | | |
| 15 | 1 | 110-00237 | Battery Mount Strap | | | | |
| 16 | 1 | 110-00251 | Console Retaining Washer | | | | |
| 17 | 1 | 110-00279 | Right Wheel Drive Handle | | | | |
| 18 | 1 | 110-00280 | Left Wheel Drive Handle | | | | |

UTL40-CH395-HM2 - Hose Diagram



| PARTS LIST | | | | PARTS LIST | | | |
|------------|-----|-------------|--------------------------------------|------------|-----|-------------|---|
| ITEM | QTY | PART NUMBER | DESCRIPTION | ITEM | QTY | PART NUMBER | DESCRIPTION |
| 1 | 1 | 100-00132 | Hydraulic Front Wheel Cylinder | 5.9 | 1 | 110-00521 | Hose Assembly 08-08FJX-08FJX-94" |
| 2 | 1 | 100-00169 | Lift Cylinder | 6 | 1 | 100-00251 | Hydraulic Drive Fitting Kit HM2 - CH395 |
| 3 | 1 | 100-00207 | Console Assembly HM2 | 6.1 | 4 | 83-00148 | 10MB-8MJ |
| 4 | 1 | 100-00224 | Power Pack Assembly | 6.2 | 3 | 83-00333 | 8MB-8MJ |
| 5 | 2 | 100-00225 | Hose Kit CH395-HM2 | 6.3 | 2 | 83-00352 | 8MJ-8FJX90 |
| 5.1 | 2 | 110-00287 | Hose Assembly 08-08FJX-08FJX90S-70" | 6.4 | 2 | 83-00421 | 6MB-6MJ90 |
| 5.2 | 2 | 110-00289 | Hose Assembly 08-08FJX-08FJX90S-115" | 6.5 | 1 | 83-00526 | Orifice Fitting 06FJ-06MJ x 0.047 |
| 5.3 | 1 | 110-00290 | Hose Assembly 08-08FJX-08FJX-24" | 6.6 | 1 | 83-00541 | Hydraulic Adapter 8 ORB - 8 ORB |
| 5.4 | 1 | 110-00309 | Hose Assembly 08-08FJX-08FJX90S-87" | 6.7 | 1 | 8MB-8MJ90 | Hydraulic Adapter 8MB-8MJ90 |
| 5.5 | 2 | 110-00354 | Hose Assembly 08-08FJX-08FJX-142" | 7 | 2 | 83-00537 | Salami Valve Handle |
| 5.6 | 1 | 110-00408 | Hose Assembly 06-06FJX-06FJX-160" | 8 | 2 | 83-00538 | Hydraulic Motor 160 cc/rev Geroller |
| 5.7 | 1 | 110-00409 | Hose Assembly 06-06FJX-06FJX-177" | 9 | 1 | 83-00540 | Counterbalance Valve 1 Way Direct Mount |
| 5.8 | 1 | 110-00413 | Hose Assembly 08-08FJX-08FJX-54" | 10 | 2 | 83-00545 | Salami Valve Offset Handle |

100-00224 - Power Pack Assembly



| PARTS LIST | | | |
|------------|-----|-------------|---|
| ITEM | QTY | PART NUMBER | DESCRIPTION |
| 1 | 1 | 100-00223 | Power Pack Chassis |
| 2 | 1 | 100-00253 | Hydraulic Power Pack Fitting Kit - HM2 |
| 2.1 | 1 | 10MB-8MJ90 | Hydraulic Adapter 10MB-8MJ90 |
| 2.2 | 2 | 110-00306 | Hose Assembly 12-Suction-13-1/4" |
| 2.3 | 1 | 12MP-8MJ | Hydraulic Adapter 12MP-8MJ |
| 2.4 | 1 | 83-00513 | Hydraulic Adapter 3/4 Hose Bead - 3/4 NPT |
| 2.5 | 1 | 83-00514 | Hydraulic Adapter 3/4 Hose Bead - 10 ORB 90 |
| 2.6 | 2 | 83-00528 | Hydraulic Adapter 3/4 Hose Bead - 12 ORB 90 |
| 3 | 1 | 6MBP | Hydraulic Adapter 6MBP |
| 4 | 2 | 80-00004 | Split Lock Washer 1/4 Zinc Finish |
| 5 | 2 | 80-00006 | Flat Washer 1/4 SAE Zinc Finish |
| 6 | 4 | 80-00018 | Nylon Insert Lock Nut 3/8 UNC GR5 Zinc Finish |
| 7 | 8 | 80-00032 | Flat Washer 3/8 SAE Zinc Finish |
| 8 | 4 | 80-00033 | Split Lock Washer 3/8 Zinc Finish |
| 9 | 4 | 80-00131 | Split Lock Washer 5/16 Zinc Finish |
| 10 | 2 | 80-01024 | Hex Cap Screw 1/4 UNC x 3/4 GR5 Zinc Plated |
| 11 | 4 | 80-01026 | Hex Cap Screw 3/8 UNC x 1-1/4 GR5 Zinc Plated |
| 12 | 4 | 80-01027 | Hex Cap Screw 3/8 UNC x 1-3/4 GR5 Zinc Plated |
| 13 | 4 | 80-01143 | Hex Cap Screw 5/16 UNF x 3/4 GR5 Zinc Plated |
| 14 | 1 | 82-03076 | Kohler CH395 Engine |
| 15 | 1 | 82-03077 | SAE 4 Bolt Pump Bellhousing |
| 16 | 1 | 82-03078 | L099 Jaw Coupling 1" Bore |
| 17 | 1 | 82-03079 | L099 Jaw Coupling 1/2" Bore |
| 18 | 1 | 82-03080 | L099 Jaw Coupling Spider NBR Open Center |
| 19 | 1 | 83-00505 | Haldex Pump G1224C3A300N00 .388 cu-in |
| 20 | 1 | 83-00510 | Spin On Filter Head 3/4 NPT |
| 21 | 1 | 83-00511 | Hydraulic Filter Cartridge |
| 22 | 4 | 83-00512 | Hose Clamp #12 3/4 - 1-1/4 x 9/16 |
| 23 | 1 | 83-00532 | Filler Cap Stamped w Dipstick |